

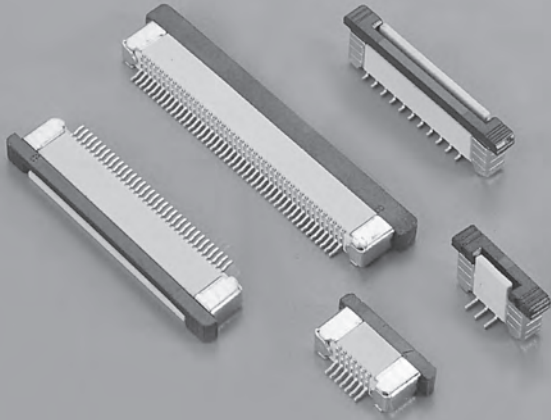
# CHOOSE A SPECIALIST FOR ALL OF YOUR CONNECTORS NEED

[www.chyaoshiunn.com.tw](http://www.chyaoshiunn.com.tw)



喬訊電子工業股份有限公司  
Chyao Shiunn Electronic Industrial Ltd.

# 0.50mm (.020") ZIF Type, FFC/FPC Connectors<SMT>

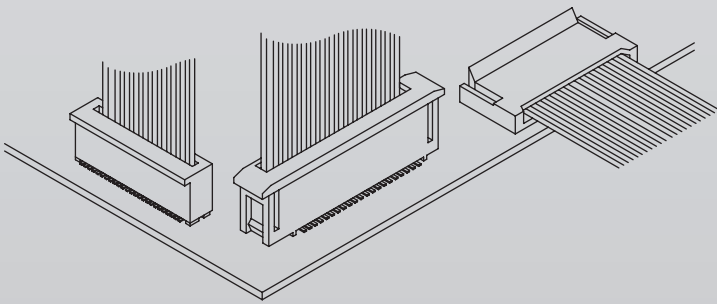


## Specifications

- Voltage Rating : 50V AC/DC
- Current Rating : 0.5A AC/DC
- Withstanding Voltage : 200V AC/minute
- Insulation Resistance : 100MΩ min.
- Temperature Range : -25°C to + 85°C
- Contact Resistance : 20mΩ max.

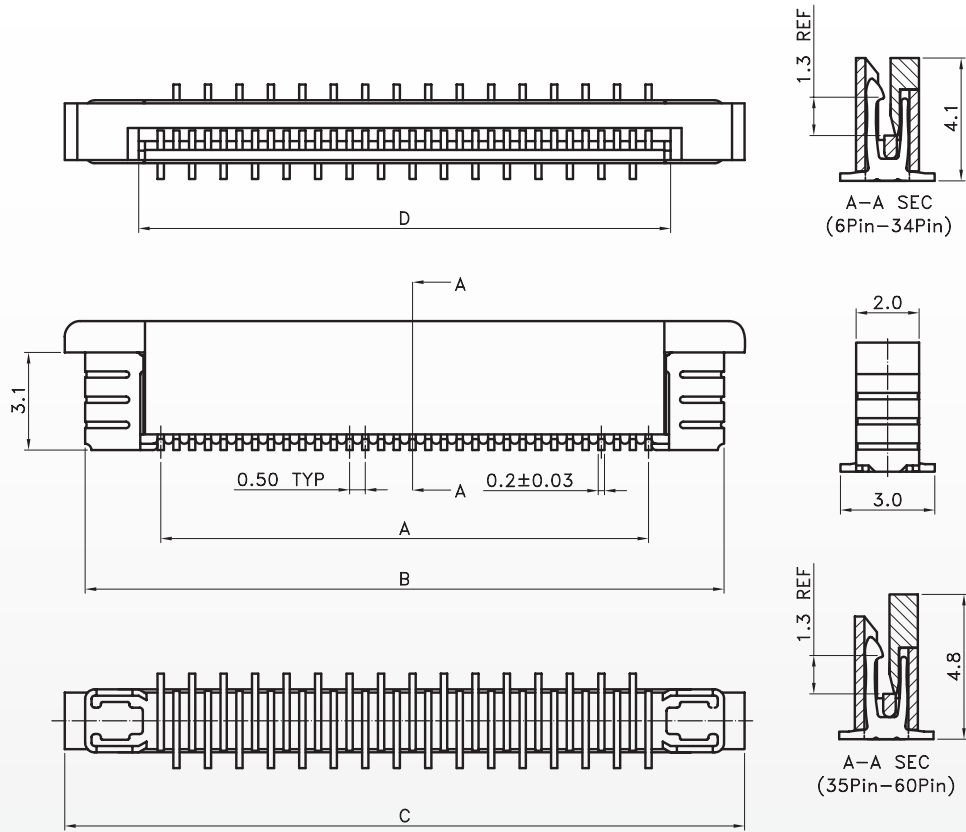
## Features:

- Part No. :
  - JS-1191D-XX (Right Angle; Bottom Contact)
  - JS-1191U-XX (Right Angle; Top Contact)
  - JS-1191V-XX (Straight)
- Poles : 4 - 60
- Material : Contact : Phos. Bronze; Tin Plated
  - Nail : Phos. Bronze; Tin Plated
  - Base. : LCP6807
  - Slider. : LCP6130
- Qt'y :
  - 2,000 pcs./Reel (JS-1191D)
  - 2,000 pcs./Reel (JS-1191U)
  - 1,000 pcs./Reel (JS-1191V)

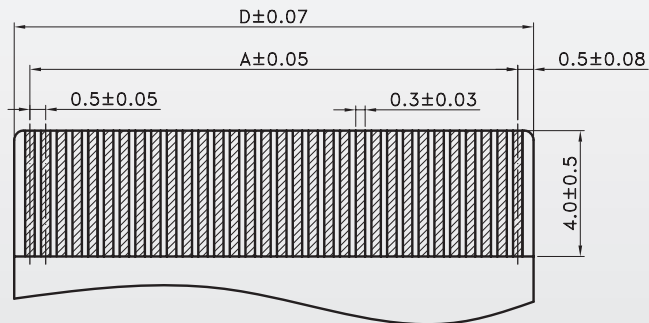


# 0.50mm (.020") ZIF Type, FFC/FPC Connectors <SMT>

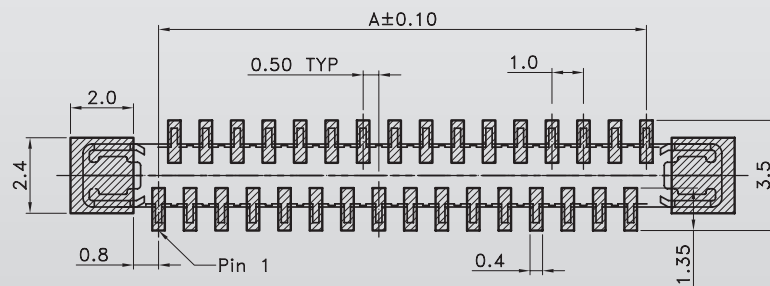
## Straight JS-1191V



Solder Nail Close Type



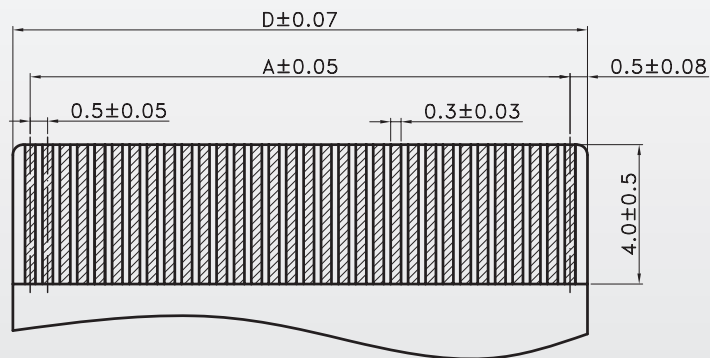
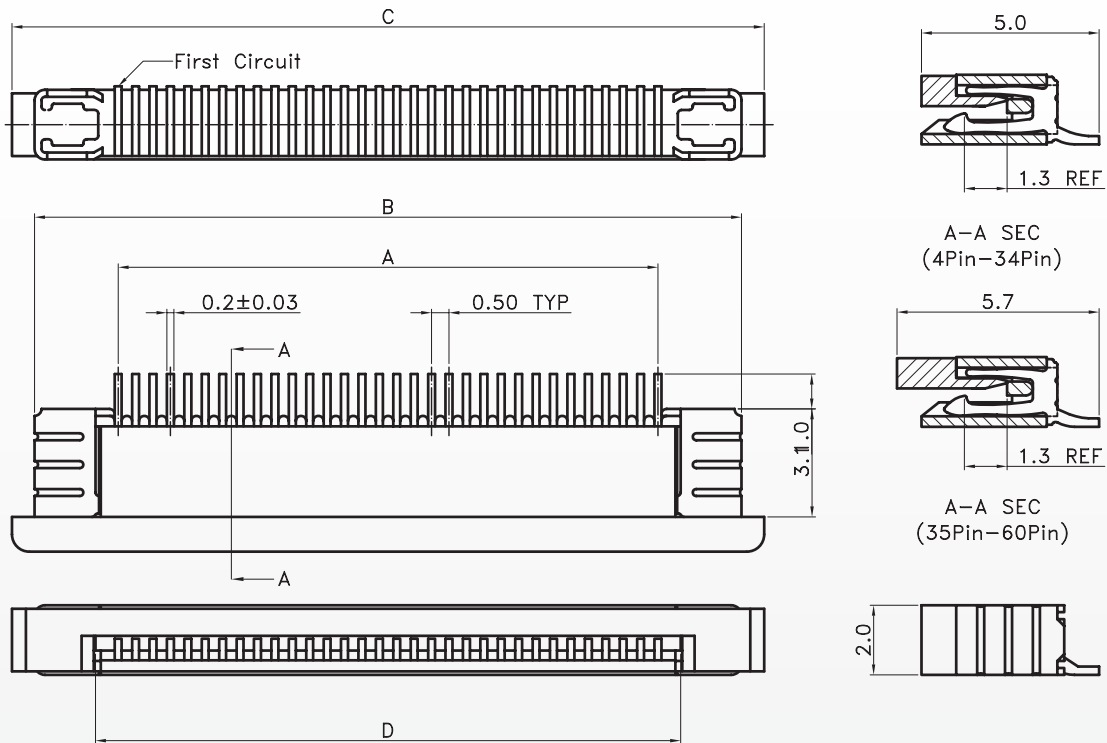
FFC/FFC Dimension Thickness 0.30mm



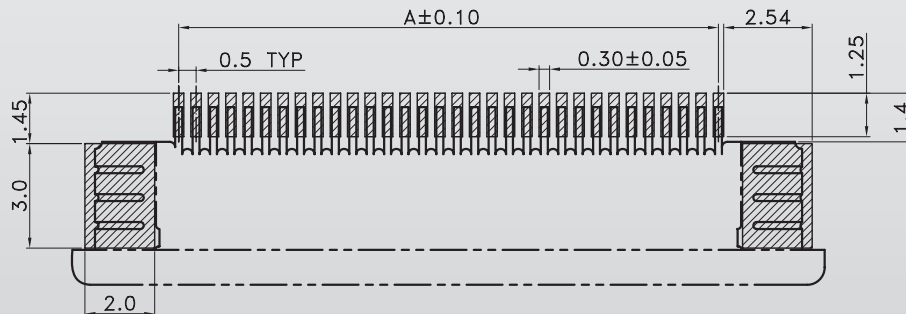
Recommend PCB Layout

# 0.50mm (.020") ZIF Type, FFC/FPC Connectors <SMT>

## Right Angle - Bottom Contact Style JS-1191D



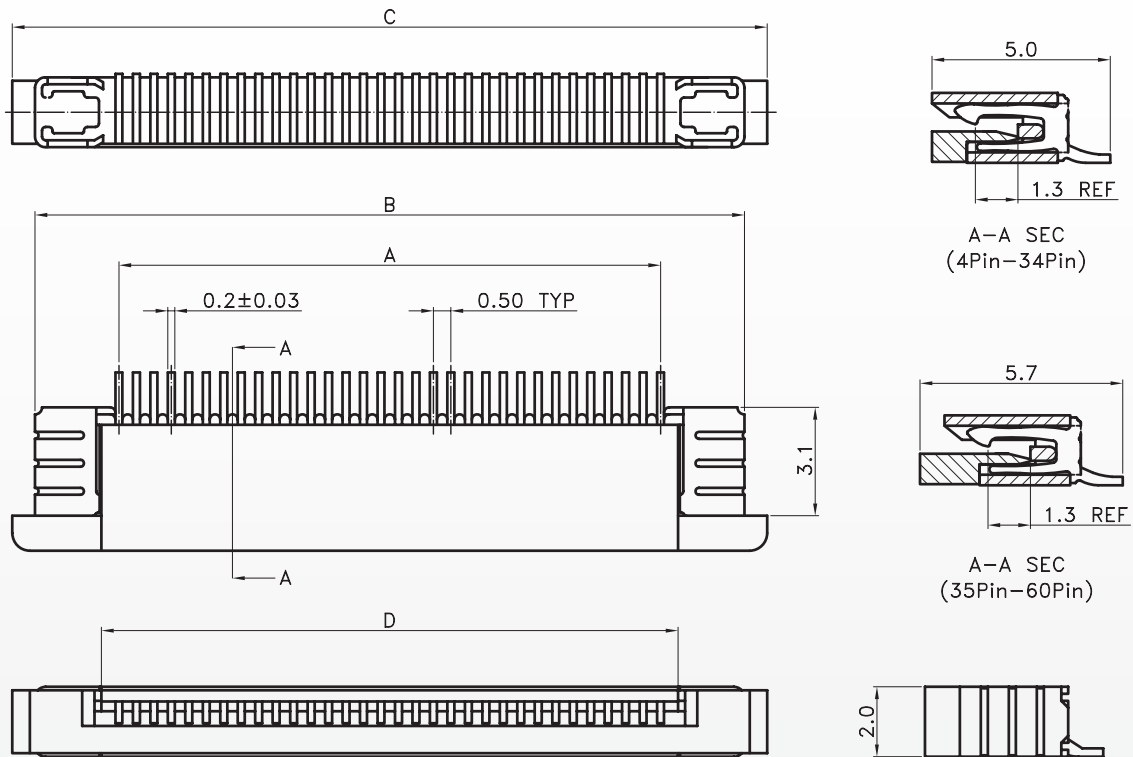
FPC/FFC Dimension Thickness 0.30mm



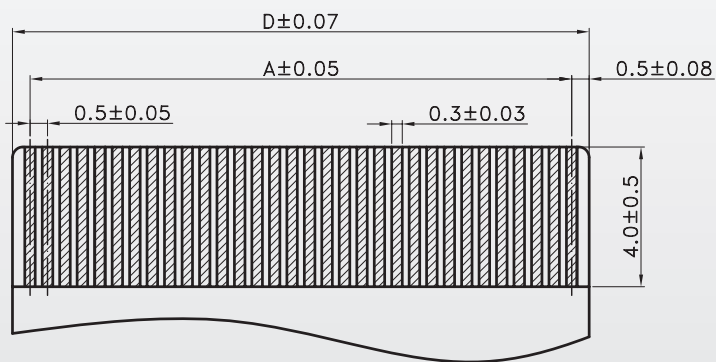
Solder Nail close Type Recommend PCB Layout

# 0.50mm (.020") ZIF Type, FFC/FPC Connectors <SMT>

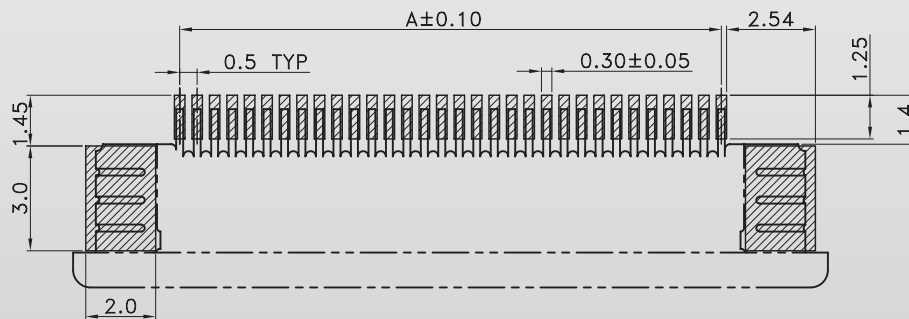
## Right Angle - Top Contact Style JS-1191U



Solder Nail close Type



FPC/FFC Dimension Thickness 0.30mm



Solder Nail close Type Recommend PCB Layout

D

# 0.50mm (.020") ZIF Type, FFC/FPC Connectors<SMT>

Poles	Part No.			Dimensions (mm)				
	JS-1191D	JS-1191U	JS-1191V	A	B	C	D	E
4	JS-1191D-04	JS-1191U-04	JS-1191V-04	6.00	7.50	1.50	2.62	1.50
5	JS-1191D-05	JS-1191U-05	JS-1191V-05	6.50	8.00	2.00	3.12	2.00
6	JS-1191D-06	JS-1191U-06	JS-1191V-06	7.00	8.50	2.50	3.62	2.50
7	JS-1191D-07	JS-1191U-07	JS-1191V-07	7.50	9.00	3.00	4.12	3.00
8	JS-1191D-08	JS-1191U-08	JS-1191V-08	8.00	9.50	3.50	4.62	3.50
9	JS-1191D-09	JS-1191U-09	JS-1191V-09	8.50	10.00	4.00	5.12	4.00
10	JS-1191D-10	JS-1191U-10	JS-1191V-10	9.00	10.50	4.50	5.62	4.50
11	JS-1191D-11	JS-1191U-11	JS-1191V-11	9.50	11.00	5.00	6.12	5.00
12	JS-1191D-12	JS-1191U-12	JS-1191V-12	10.00	11.50	5.50	6.62	5.50
13	JS-1191D-13	JS-1191U-13	JS-1191V-13	10.50	12.00	6.00	7.12	6.00
14	JS-1191D-14	JS-1191U-14	JS-1191V-14	11.00	12.50	6.50	7.62	6.50
15	JS-1191D-15	JS-1191U-15	JS-1191V-15	11.50	13.00	7.00	8.12	7.00
16	JS-1191D-16	JS-1191U-16	JS-1191V-16	12.00	13.50	7.50	8.62	7.50
17	JS-1191D-17	JS-1191U-17	JS-1191V-17	12.50	14.00	8.00	9.12	8.00
18	JS-1191D-18	JS-1191U-18	JS-1191V-18	13.00	14.50	8.50	9.62	8.50
19	JS-1191D-19	JS-1191U-19	JS-1191V-19	13.50	15.00	9.00	10.12	9.00
20	JS-1191D-20	JS-1191U-20	JS-1191V-20	14.00	15.50	9.50	10.62	9.50
21	JS-1191D-21	JS-1191U-21	JS-1191V-21	14.50	16.00	10.00	11.12	10.00
22	JS-1191D-22	JS-1191U-22	JS-1191V-22	15.00	16.50	10.50	11.62	10.50
23	JS-1191D-23	JS-1191U-23	JS-1191V-23	15.50	17.00	11.00	12.12	11.00
24	JS-1191D-24	JS-1191U-24	JS-1191V-24	16.00	17.50	11.50	12.62	11.50
25	JS-1191D-25	JS-1191U-25	JS-1191V-25	16.50	18.00	12.00	13.12	12.00
26	JS-1191D-26	JS-1191U-26	JS-1191V-26	17.00	18.50	12.50	13.62	12.50
27	JS-1191D-27	JS-1191U-27	JS-1191V-27	17.50	19.00	13.00	14.12	13.00
28	JS-1191D-28	JS-1191U-28	JS-1191V-28	18.00	19.50	13.50	14.62	13.50
29	JS-1191D-29	JS-1191U-29	JS-1191V-29	18.50	20.00	14.00	15.12	14.00
30	JS-1191D-30	JS-1191U-30	JS-1191V-30	19.00	20.50	14.50	15.62	14.50
31	JS-1191D-31	JS-1191U-31	JS-1191V-31	19.50	21.00	15.00	16.12	15.00
32	JS-1191D-32	JS-1191U-32	JS-1191V-32	20.00	21.50	15.50	16.62	15.50
33	JS-1191D-33	JS-1191U-33	JS-1191V-33	20.50	22.00	16.00	17.12	16.00
34	JS-1191D-34	JS-1191U-34	JS-1191V-34	21.00	22.50	16.50	17.62	16.50
35	JS-1191D-35	JS-1191U-35	JS-1191V-35	21.50	23.00	17.00	18.12	17.00
36	JS-1191D-36	JS-1191U-36	JS-1191V-36	22.00	23.50	17.50	18.62	17.50
37	JS-1191D-37	JS-1191U-37	JS-1191V-37	22.50	24.00	18.00	19.12	18.00
38	JS-1191D-38	JS-1191U-38	JS-1191V-38	23.00	24.50	18.50	19.62	18.50
39	JS-1191D-39	JS-1191U-39	JS-1191V-39	23.50	25.00	19.00	20.12	19.00
40	JS-1191D-40	JS-1191U-40	JS-1191V-40	24.00	25.50	19.50	20.62	19.50
41	JS-1191D-41	JS-1191U-41	JS-1191V-41	24.50	26.00	20.00	21.12	20.00
42	JS-1191D-42	JS-1191U-42	JS-1191V-42	25.00	26.50	20.50	21.62	20.50
43	JS-1191D-43	JS-1191U-43	JS-1191V-43	25.50	27.00	21.00	22.12	21.00
44	JS-1191D-44	JS-1191U-44	JS-1191V-44	26.00	27.50	21.50	22.62	21.50
45	JS-1191D-45	JS-1191U-45	JS-1191V-45	26.50	28.00	22.00	23.12	22.00
46	JS-1191D-46	JS-1191U-46	JS-1191V-46	27.00	28.50	22.50	23.62	22.50
47	JS-1191D-47	JS-1191U-47	JS-1191V-47	27.50	29.00	23.00	24.12	23.00
48	JS-1191D-48	JS-1191U-48	JS-1191V-48	28.00	29.50	23.50	24.62	23.50
49	JS-1191D-49	JS-1191U-49	JS-1191V-49	28.50	30.00	24.00	25.12	24.00
50	JS-1191D-50	JS-1191U-50	JS-1191V-50	29.00	30.50	24.50	25.62	24.50

# 1.00mm (.039") ZIF Type Single Beam Contact Style < SMT >

## Specifications

- Voltage Rating : 50V AC/DC
- Current Rating : 0.5A AC/DC
- Withstanding Voltage : 500V AC/minute
- Insulation Resistance : 800M $\Omega$  min.
- Temperature Range : -25°C to + 85°C
- Contact Resistance : 20m $\Omega$  max.

## Features:

- Part No. : JS-1157D-XX (Side Entry; Bottom Contact)  
JS-1157U-XX (Side Entry; Upper Contact)  
JS-1157V-XX (Top Entry)

Poles : 4 - 30

Material : Contact : Phos. Bronze; Tin Plated

Solder Nail : Phos. Bronze; Tin Plated

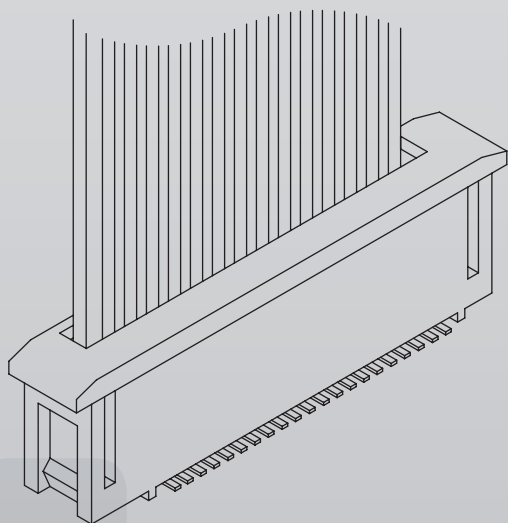
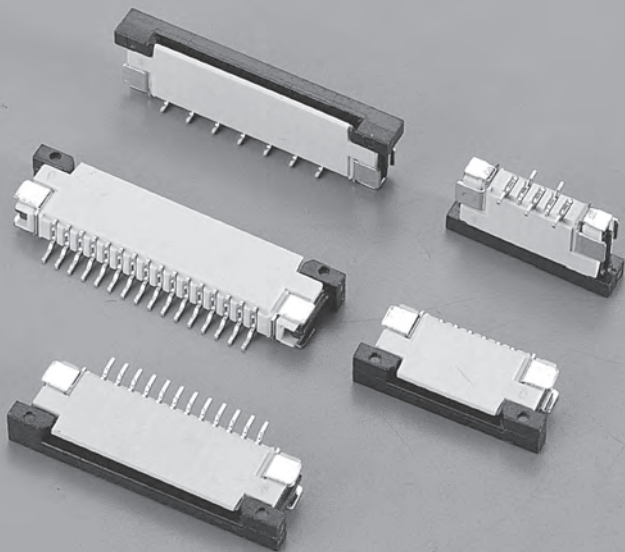
Base : LCP UL94V-0

Slider : LCP UL94V-0

Qt'y : 1,500 pcs./Tape & Reel (JS-1157D)

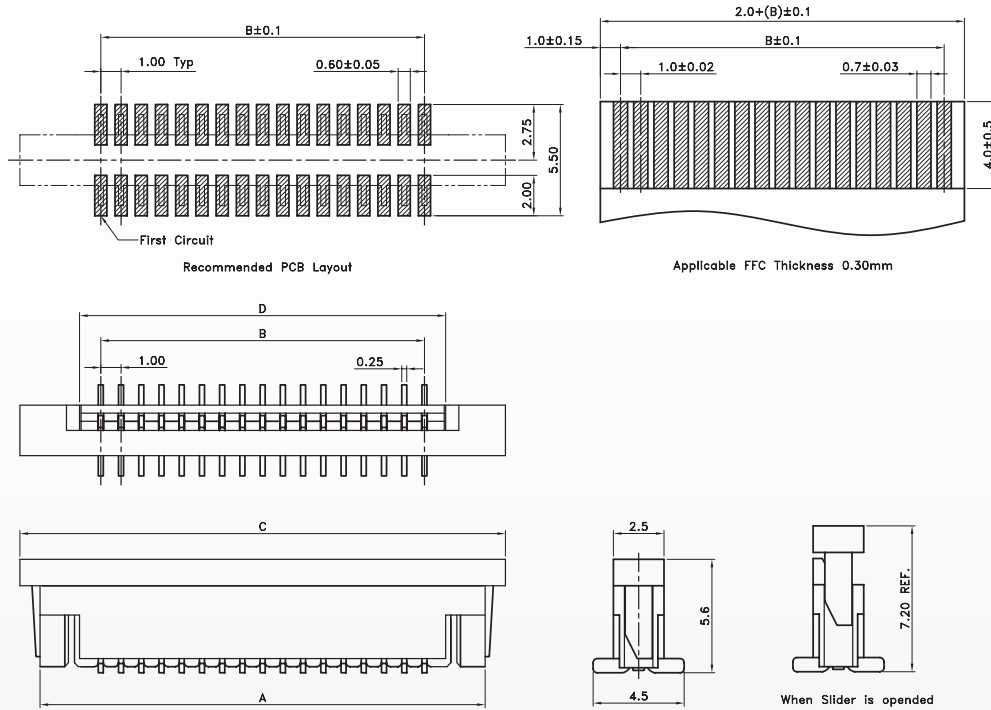
1,500 pcs./Tape & Reel (JS-1157U)

900 pcs./Tape & Reel (JS-1157V)



# 1.00mm (.039") ZIF Type Single Beam Contact Style < SMT >

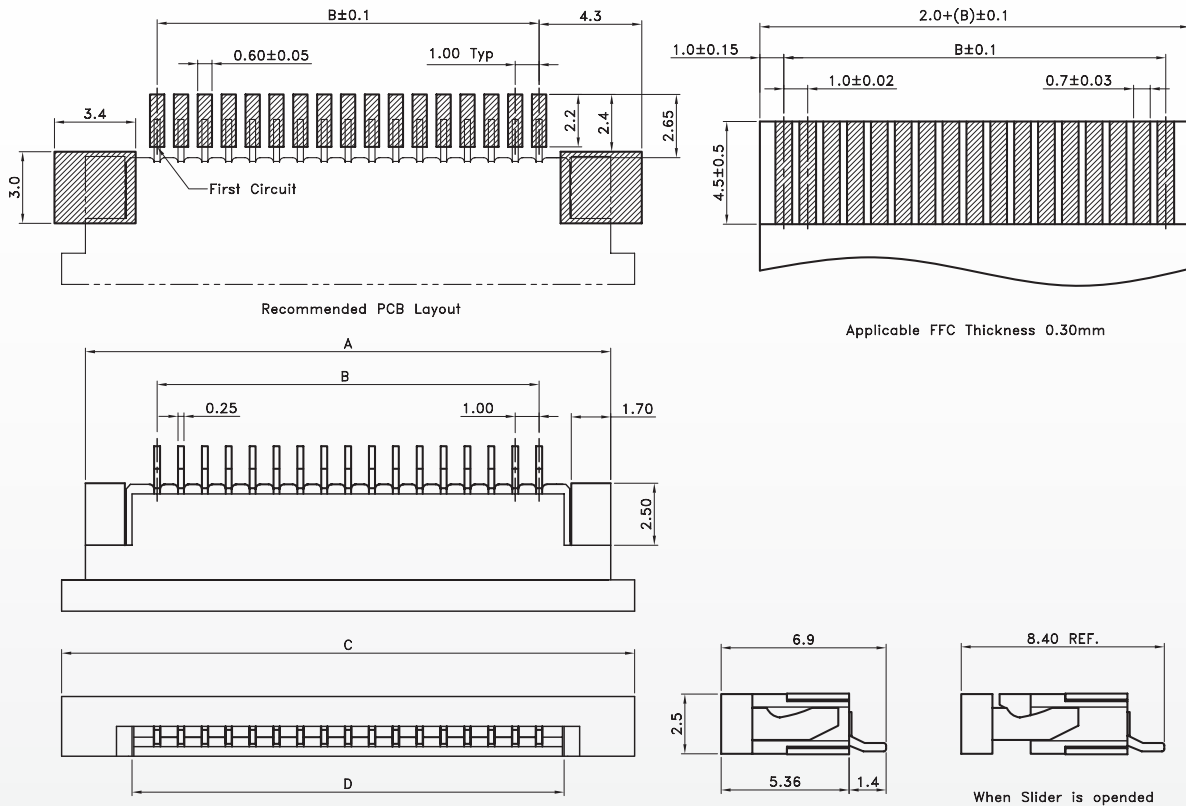
## Top Entry JS-1157V



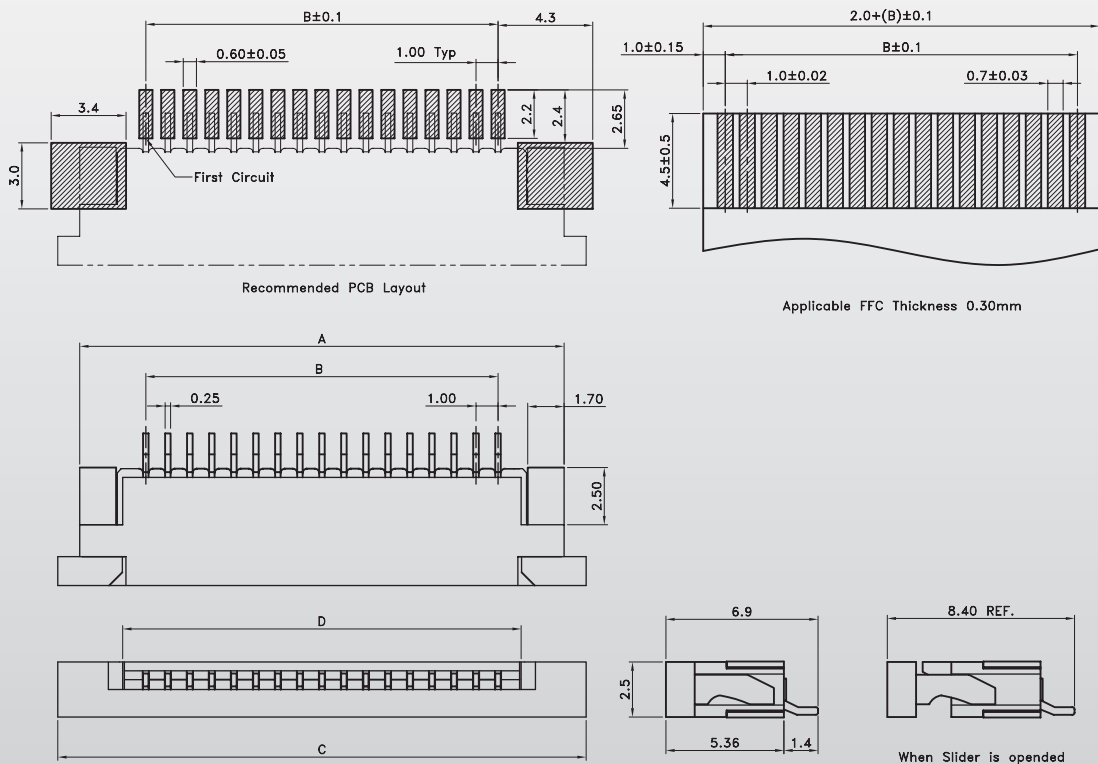
Poles	Part No.	Dimensions (mm)			
	JS-1157V	A	B	C	D
4	JS-1157V-04	9.20	3.00	11.00	5.05
5	JS-1157V-05	10.20	4.00	12.00	6.05
6	JS-1157V-06	11.20	5.00	13.00	7.05
7	JS-1157V-07	12.20	6.00	14.00	8.05
8	JS-1157V-08	13.20	7.00	15.00	9.05
9	JS-1157V-09	14.20	8.00	16.00	10.05
10	JS-1157V-10	15.20	9.00	17.00	11.05
11	JS-1157V-11	16.20	10.00	18.00	12.05
12	JS-1157V-12	17.20	11.00	19.00	13.05
13	JS-1157V-13	18.20	12.00	20.00	14.05
14	JS-1157V-14	19.20	13.00	21.00	15.05
15	JS-1157V-15	20.20	14.00	22.00	16.05
16	JS-1157V-16	21.20	15.00	23.00	17.05
17	JS-1157V-17	22.20	16.00	24.00	18.05
18	JS-1157V-18	23.20	17.00	25.00	19.05
19	JS-1157V-19	24.20	18.00	26.00	20.05
20	JS-1157V-20	25.20	19.00	27.00	21.05
21	JS-1157V-21	26.20	20.00	28.00	22.05
22	JS-1157V-22	27.20	21.00	29.00	23.05
23	JS-1157V-23	28.20	22.00	30.00	24.05
24	JS-1157V-24	29.20	23.00	31.00	25.05
25	JS-1157V-25	30.20	24.00	32.00	26.05
26	JS-1157V-26	31.20	25.00	33.00	27.05
27	JS-1157V-27	32.20	26.00	34.00	28.05
28	JS-1157V-28	33.20	27.00	35.00	29.05
29	JS-1157V-29	34.20	28.00	36.00	30.05
30	JS-1157V-30	35.20	29.00	37.00	31.05
31	JS-1157V-31	36.20	30.00	38.00	32.05
32	JS-1157V-32	37.20	31.00	39.00	33.05
33	JS-1157V-33	38.20	32.00	40.00	34.05
34	JS-1157V-34	39.20	33.00	41.00	35.05

# 1.00mm (.039") ZIF Type Single Beam Contact Style < SMT >

## Side Entry - Bottom Contact JS-1157D



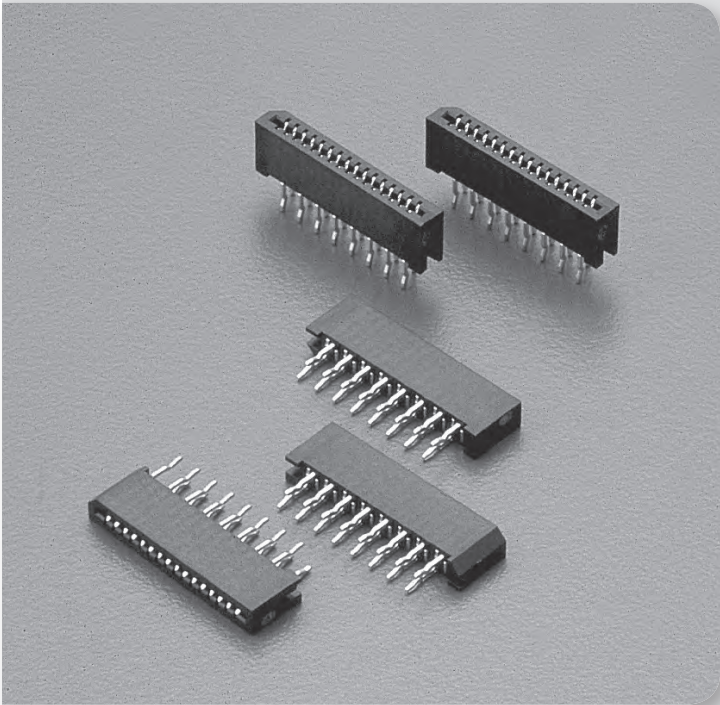
## Side Entry - Upper Contact JS-1157U



# 1.00mm (.039") ZIF Type Single Beam Contact Style < SMT >

Poles	Part No.		Dimensions (mm)			
	JS-1157D	JS-1157U	A	B	C	D
4	JS-1157D-04	JS-1157U-04	9.85	3.00	11.00	5.05
5	JS-1157D-05	JS-1157U-05	10.85	4.00	12.00	6.05
6	JS-1157D-06	JS-1157U-06	11.85	5.00	13.00	7.05
7	JS-1157D-07	JS-1157U-07	12.85	6.00	14.00	8.05
8	JS-1157D-08	JS-1157U-08	13.85	7.00	15.00	9.05
9	JS-1157D-09	JS-1157U-09	14.85	8.00	16.00	10.05
10	JS-1157D-10	JS-1157U-10	15.85	9.00	17.00	11.05
11	JS-1157D-11	JS-1157U-11	16.85	10.00	18.00	12.05
12	JS-1157D-12	JS-1157U-12	17.85	11.00	19.00	13.05
13	JS-1157D-13	JS-1157U-13	18.85	12.00	20.00	14.05
14	JS-1157D-14	JS-1157U-14	19.85	13.00	21.00	15.05
15	JS-1157D-15	JS-1157U-15	20.85	14.00	22.00	16.05
16	JS-1157D-16	JS-1157U-16	21.85	15.00	23.00	17.05
17	JS-1157D-17	JS-1157U-17	22.85	16.00	24.00	18.05
18	JS-1157D-18	JS-1157U-18	23.85	17.00	25.00	19.05
19	JS-1157D-19	JS-1157U-19	24.85	18.00	26.00	20.05
20	JS-1157D-20	JS-1157U-20	25.85	19.00	27.00	21.05
21	JS-1157D-21	JS-1157U-21	26.85	20.00	28.00	22.05
22	JS-1157D-22	JS-1157U-22	27.85	21.00	29.00	23.05
23	JS-1157D-23	JS-1157U-23	28.85	22.00	30.00	24.05
24	JS-1157D-24	JS-1157U-24	29.85	23.00	31.00	25.05
25	JS-1157D-25	JS-1157U-25	30.85	24.00	32.00	26.05
26	JS-1157D-26	JS-1157U-26	31.85	25.00	33.00	27.05
27	JS-1157D-27	JS-1157U-27	32.85	26.00	34.00	28.05
28	JS-1157D-28	JS-1157U-28	33.85	27.00	35.00	29.05
29	JS-1157D-29	JS-1157U-29	34.85	28.00	36.00	30.05
30	JS-1157D-30	JS-1157U-30	35.85	29.00	37.00	31.05
31	JS-1157D-31	JS-1157U-31	36.85	30.00	38.00	32.05
32	JS-1157D-32	JS-1157U-32	37.85	31.00	39.00	33.05
33	JS-1157D-33	JS-1157U-33	38.85	32.00	40.00	34.05
34	JS-1157D-34	JS-1157U-34	39.85	33.00	41.00	35.05

# 1.00mm (.039") NON-ZIF Type Dual Beam Contact Style <DIP>

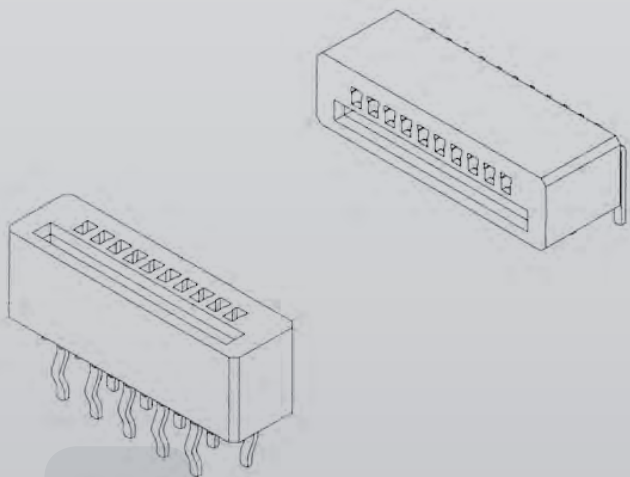


## Specifications

- Voltage Rating : 50V AC/DC
- Current Rating : 0.5A AC/DC
- Withstanding Voltage : 500V AC/minute
- Insulation Resistance : 1,000M $\Omega$  min.
- Temperature Range : -40°C to + 105°C
- Contact Resistance : 30m $\Omega$  max.

## Features:

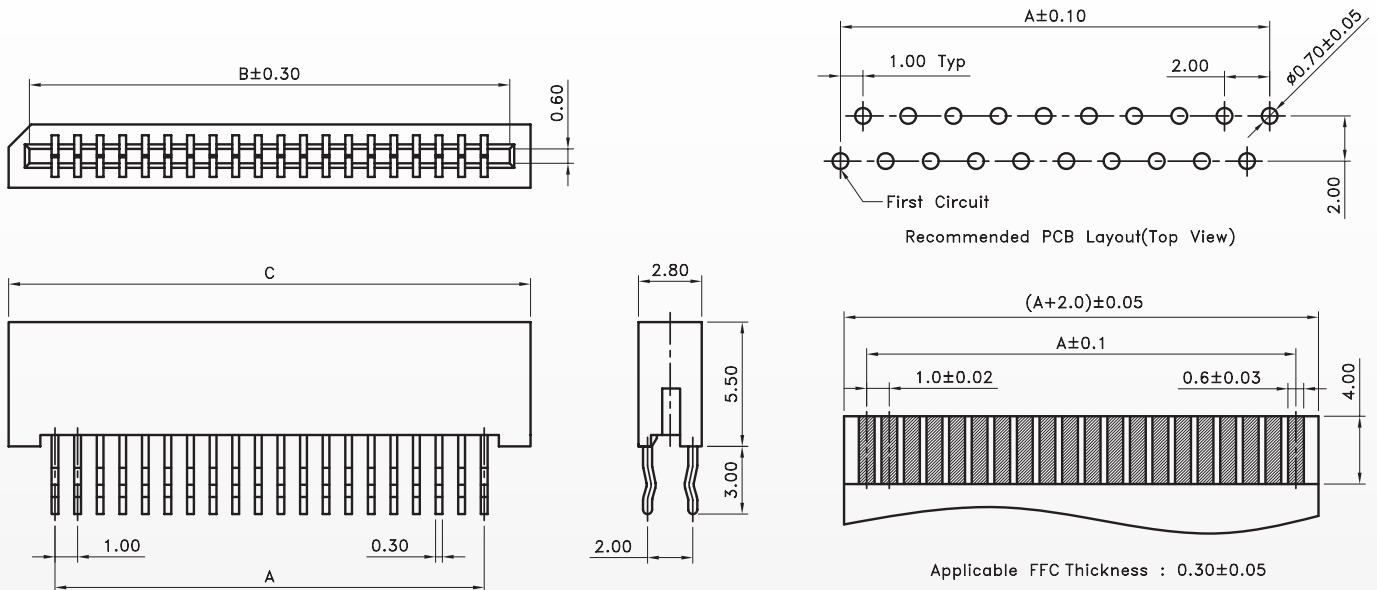
- Part No. : JS-1156-XX(Top Entry, Normal Type)  
JS-1156S-XX(Top Entry, Reverse Type)  
JS-1156R-XX(Right Angle)
- Poles : 3 - 30
- Material : Contact : Brass, Tin Plated  
Base : Nylon PA6T UL94V-0
- Qt'y : 1,000 pcs/Tube Pack



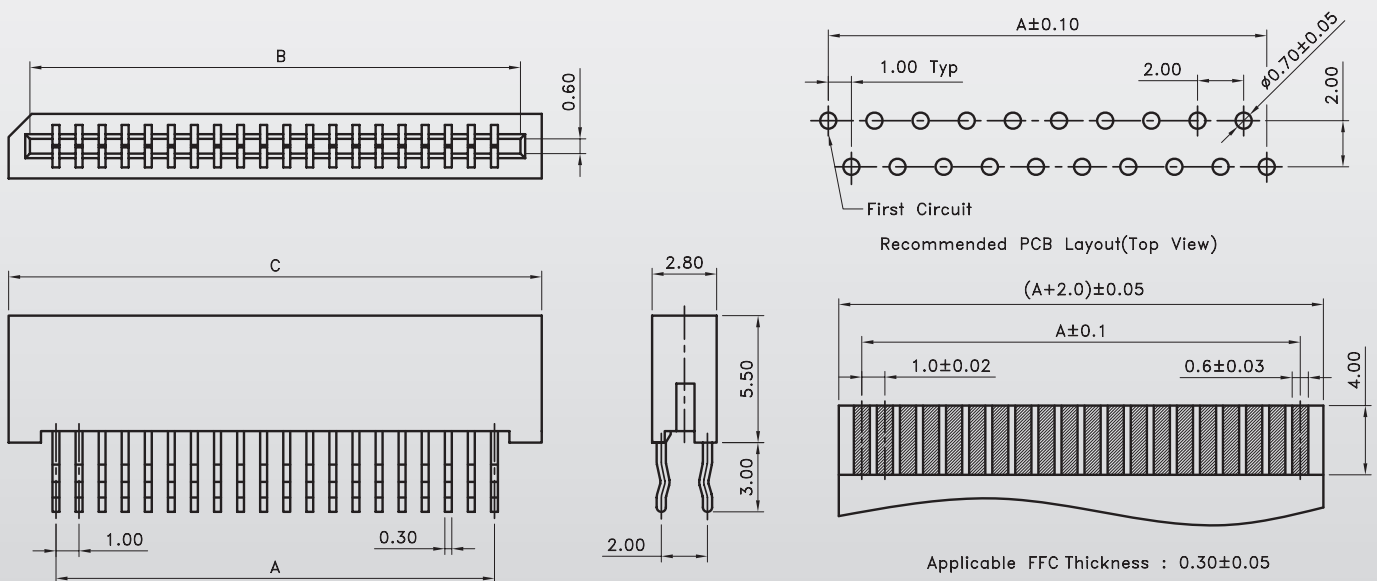
D10

# 1.00mm (.039") NON-ZIF Type Dual Beam Contact Style <DIP>

## Top Entry - Normal Type JS-1156

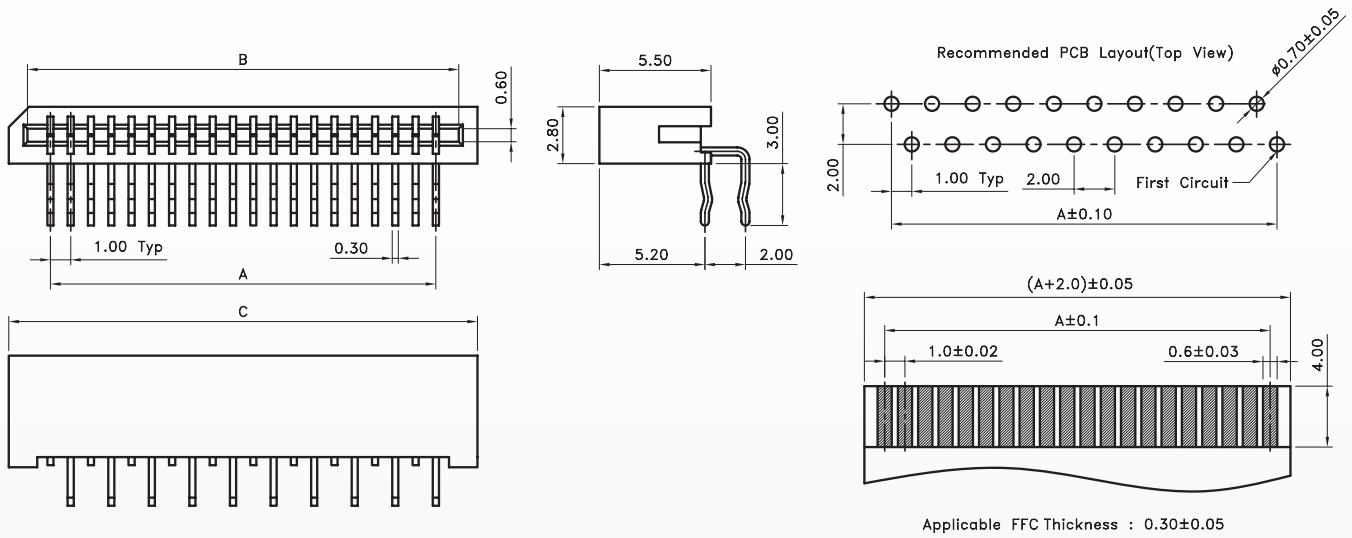


## Top Entry - Reverse Type JS-1156S



# 1.00mm (.039") NON-ZIF Type Dual Beam Contact Style <DIP>

## Side Entry JS-1156R



Poles	Part No.			Dimensions (mm)		
	JS-1156	JS-1156S	JS-1156R	A	B	C
2	JS-1156-02	JS-1156S-02	JS-1156R-02	1.00	3.10	5.00
3	JS-1156-03	JS-1156S-03	JS-1156R-03	2.00	4.10	6.00
4	JS-1156-04	JS-1156S-04	JS-1156R-04	3.00	5.10	7.00
5	JS-1156-05	JS-1156S-05	JS-1156R-05	4.00	6.10	8.00
6	JS-1156-06	JS-1156S-06	JS-1156R-06	5.00	7.10	9.00
7	JS-1156-07	JS-1156S-07	JS-1156R-07	6.00	8.10	10.00
8	JS-1156-08	JS-1156S-08	JS-1156R-08	7.00	9.10	11.00
9	JS-1156-09	JS-1156S-09	JS-1156R-09	8.00	10.10	12.00
10	JS-1156-10	JS-1156S-10	JS-1156R-10	9.00	11.10	13.00
11	JS-1156-11	JS-1156S-11	JS-1156R-11	10.00	12.10	14.00
12	JS-1156-12	JS-1156S-12	JS-1156R-12	11.00	13.10	15.00
13	JS-1156-13	JS-1156S-13	JS-1156R-13	12.00	14.10	16.00
14	JS-1156-14	JS-1156S-14	JS-1156R-14	13.00	15.10	17.00
15	JS-1156-15	JS-1156S-15	JS-1156R-15	14.00	16.10	18.00
16	JS-1156-16	JS-1156S-16	JS-1156R-16	15.00	17.10	19.00
17	JS-1156-17	JS-1156S-17	JS-1156R-17	16.00	18.10	20.00
18	JS-1156-18	JS-1156S-18	JS-1156R-18	17.00	19.10	21.00
19	JS-1156-19	JS-1156S-19	JS-1156R-19	18.00	20.10	22.00
20	JS-1156-20	JS-1156S-20	JS-1156R-20	19.00	21.10	23.00
21	JS-1156-21	JS-1156S-21	JS-1156R-21	20.00	22.10	24.00
22	JS-1156-22	JS-1156S-22	JS-1156R-22	21.00	23.10	25.00
23	JS-1156-23	JS-1156S-23	JS-1156R-23	22.00	24.10	26.00
24	JS-1156-24	JS-1156S-24	JS-1156R-24	23.00	25.10	27.00
25	JS-1156-25	JS-1156S-25	JS-1156R-25	24.00	26.10	28.00
26	JS-1156-26	JS-1156S-26	JS-1156R-26	25.00	27.10	29.00
27	JS-1156-27	JS-1156S-27	JS-1156R-27	26.00	28.10	30.00
28	JS-1156-28	JS-1156S-28	JS-1156R-28	27.00	29.10	31.00
29	JS-1156-29	JS-1156S-29	JS-1156R-29	28.00	30.10	32.00
30	JS-1156-30	JS-1156S-30	JS-1156R-30	29.00	31.10	33.00
31	JS-1156-31	JS-1156S-31	JS-1156R-31	30.00	32.10	34.00
32	JS-1156-32	JS-1156S-32	JS-1156R-32	31.00	33.10	35.00
33	JS-1156-33	JS-1156S-33	JS-1156R-33	32.00	34.10	36.00
34	JS-1156-34	JS-1156S-34	JS-1156R-34	33.00	35.10	37.00
35	JS-1156-35	JS-1156S-35	JS-1156R-35	34.00	36.10	38.00
36	JS-1156-36	JS-1156S-36	JS-1156R-36	35.00	37.10	39.00

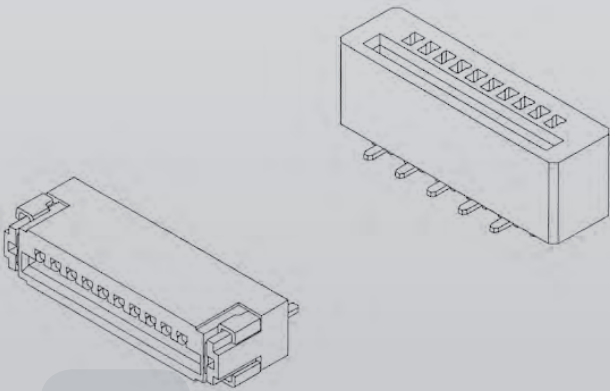
# 1.00mm (.039") NON-ZIF Type Dual Beam Contact Style < SMT >

## Specifications

- Voltage Rating : 50V AC/DC
- Current Rating : 0.5A AC/DC
- Withstanding Voltage : 500V AC/minute
- Insulation Resistance : 1,000MΩ min.
- Temperature Range : -40°C to + 105°C
- Contact Resistance : 30mΩ max.

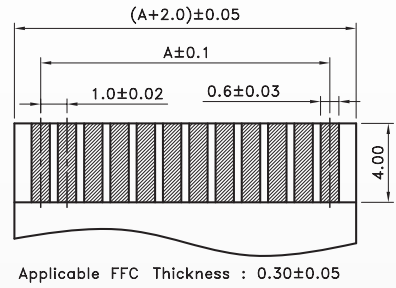
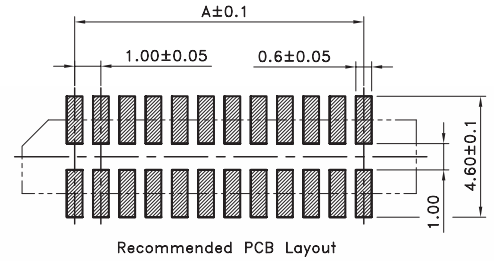
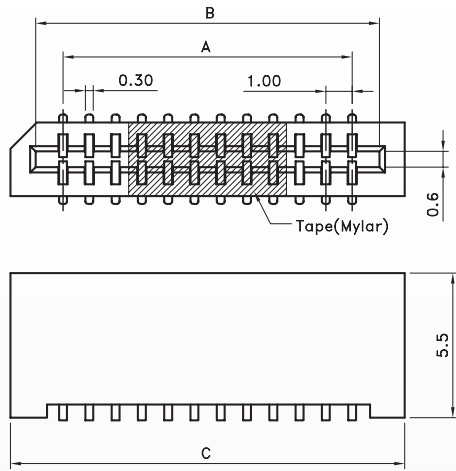
## Features:

- Part No. : JS-1157-XX  
JS-1158-XX
- Poles : 4 - 30 (Right Angle) (JS-1157-XX)  
2 - 36 (Straight) (JS-1158-XX)
- Material : Contact : Phos. Bronze, Tin Plated (JS-1157-XX)  
Brass, Tin Plated (JS-1158-XX)
- Base : Nylon PA46 (JS-1157-XX)  
Nylon PA6T UL94V-0 (JS-1158-XX)
- Qt'y : 2,000 pcs./Reel (JS-1157-XX)  
900 pcs./Tape & Reel (JS-1158-XX)

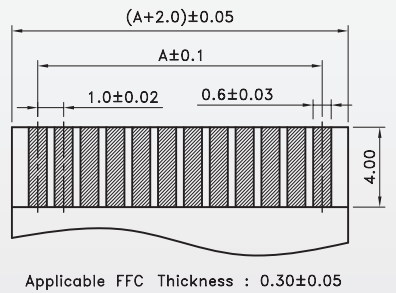
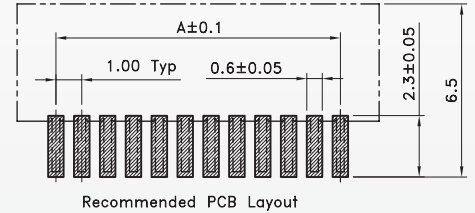
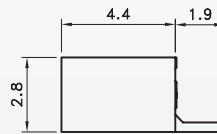
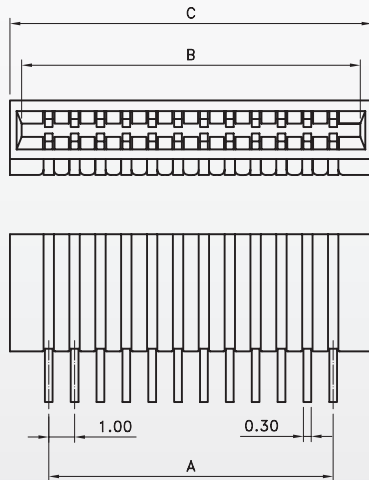


# 1.00mm (.039") NON-ZIF Type Dual Beam Contact Style < SMT >

## Top Entry JS-1158



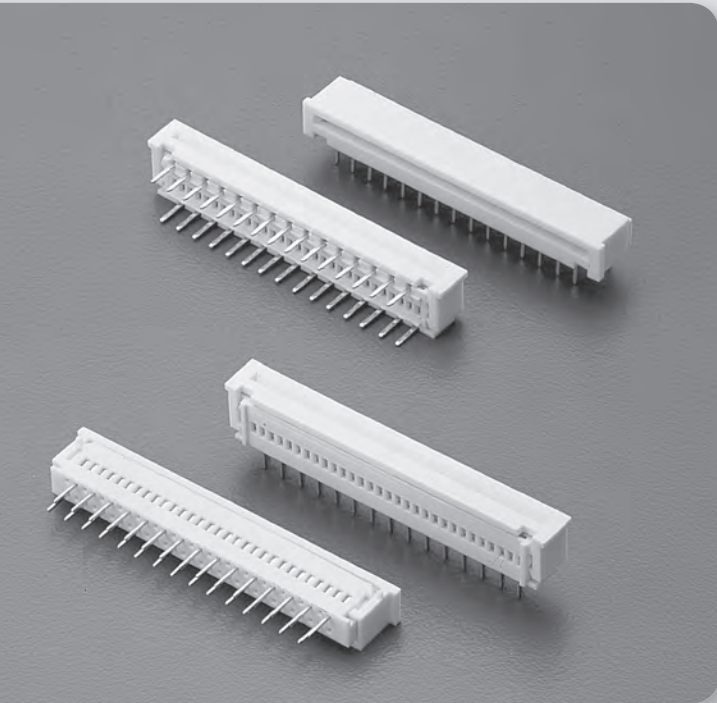
## Side Entry JS-1157



Poles	Part No.		Dimensions (mm)		
	JS-1157	JS-1158	A	B	C
2	JS-1157-02	JS-1158-02	1.00	3.10	5.00
3	JS-1157-03	JS-1158-03	2.00	4.10	6.00
4	JS-1157-04	JS-1158-04	3.00	5.10	7.00
5	JS-1157-05	JS-1158-05	4.00	6.10	8.00
6	JS-1157-06	JS-1158-06	5.00	7.10	9.00
7	JS-1157-07	JS-1158-07	6.00	8.10	10.00
8	JS-1157-08	JS-1158-08	7.00	9.10	11.00
9	JS-1157-09	JS-1158-09	8.00	10.10	12.00
10	JS-1157-10	JS-1158-10	9.00	11.10	13.00
11	JS-1157-11	JS-1158-11	10.00	12.10	14.00
12	JS-1157-12	JS-1158-12	11.00	13.10	15.00
13	JS-1157-13	JS-1158-13	12.00	14.10	16.00
14	JS-1157-14	JS-1158-14	13.00	15.10	17.00
15	JS-1157-15	JS-1158-15	14.00	16.10	18.00
16	JS-1157-16	JS-1158-16	15.00	17.10	19.00
17	JS-1157-17	JS-1158-17	16.00	18.10	20.00
18	JS-1157-18	JS-1158-18	17.00	19.10	21.00
19	JS-1157-19	JS-1158-19	18.00	20.10	22.00

Poles	Part No.		Dimensions (mm)		
	JS-1157	JS-1158	A	B	C
20	JS-1157-20	JS-1158-20	19.00	21.10	23.00
21	JS-1157-21	JS-1158-21	20.00	22.10	24.00
22	JS-1157-22	JS-1158-22	21.00	23.10	25.00
23	JS-1157-23	JS-1158-23	22.00	24.10	26.00
24	JS-1157-24	JS-1158-24	23.00	25.10	27.00
25	JS-1157-25	JS-1158-25	24.00	26.10	28.00
26	JS-1157-26	JS-1158-26	25.00	27.10	29.00
27	JS-1157-27	JS-1158-27	26.00	28.10	30.00
28	JS-1157-28	JS-1158-28	27.00	29.10	31.00
29	JS-1157-29	JS-1158-29	28.00	30.10	32.00
30	JS-1157-30	JS-1158-30	29.00	31.10	33.00
31	JS-1157-31	JS-1158-31	30.00	32.10	34.00
32	JS-1157-32	JS-1158-32	31.00	33.10	35.00
33	JS-1157-33	JS-1158-33	32.00	34.10	36.00
34	JS-1157-34	JS-1158-34	33.00	35.10	37.00
35	JS-1157-35	JS-1158-35	34.00	36.10	38.00
36	JS-1157-36	JS-1158-36	35.00	37.10	39.00

# 1.25mm (.049") ZIF Type Single Beam Contact Style <DIP>

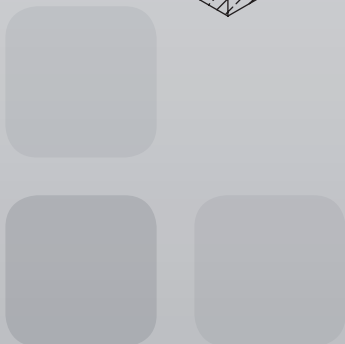
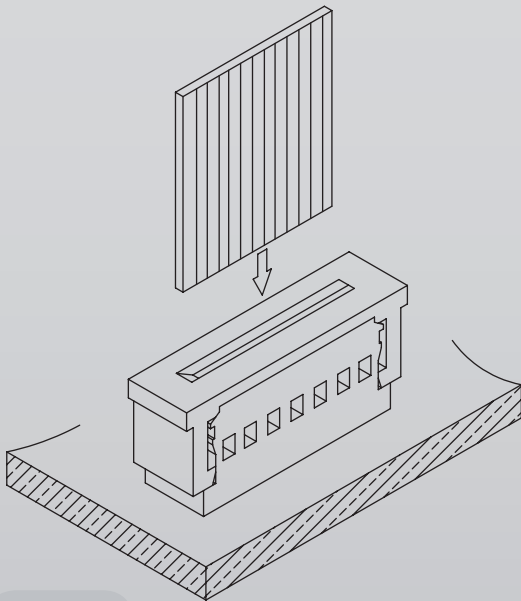


## Specifications

- Voltage Rating : 250V AC/DC
- Current Rating : 1A AC/DC
- Withstanding Voltage : 1000V AC/minute
- Insulation Resistance : 1,000M $\Omega$  min.
- Temperature Range : -55°C to + 105°C
- Contact Resistance : 20m $\Omega$  max.

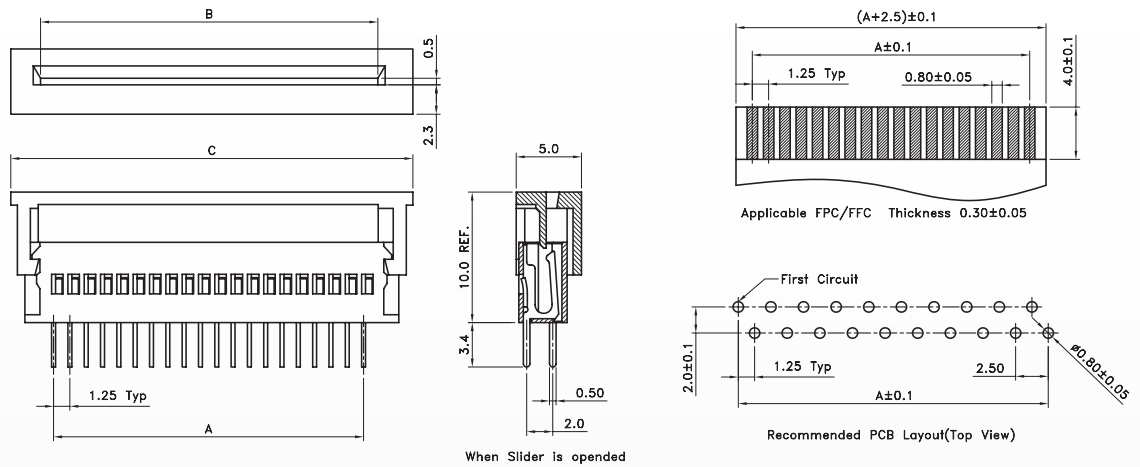
## Features:

- Part No. : JS-11551-XX (Top Entry)  
JS-1155R (Side Entry)
- Poles : 4 - 30
- Material : Contact : Phos. Bronze, Tin Plated  
Base : Nylon PA6T UL94V-0
- Qt'y : 1,000 pcs/Tube Pack

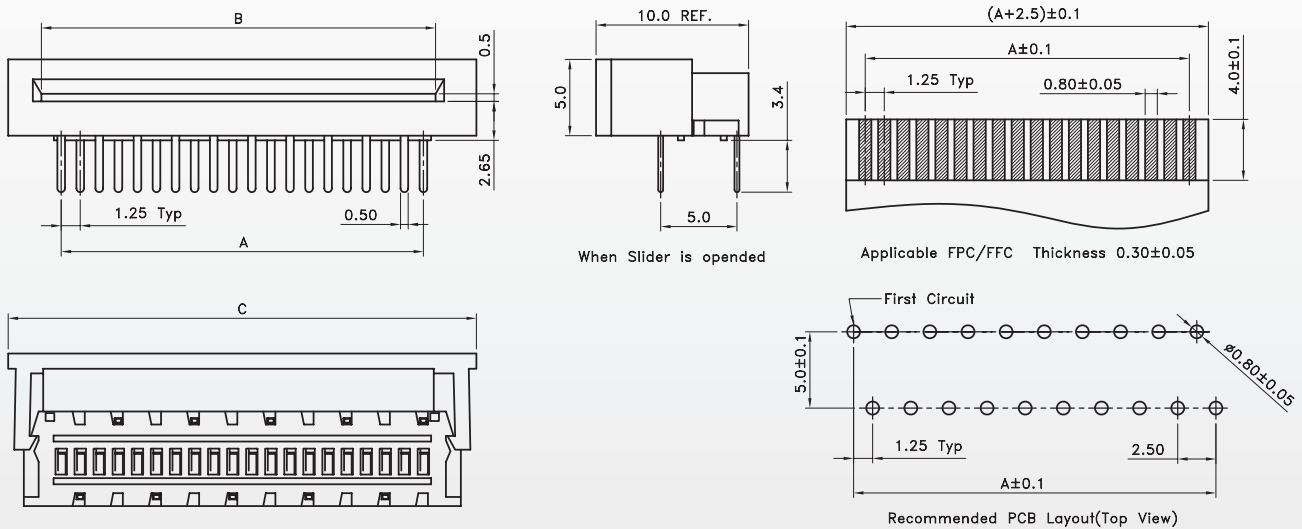


# 1.25mm (.049") ZIF Type Single Beam Contact Style <DIP>

## Top Entry JS-11551



## Side Entry JS-1155R



Poles	Part No.		Dimensions (mm)		
	JS-11551	JS-1155R	A	B	C
3	JS-11551-03	JS-1155R-03	2.50	5.32	9.45
4	JS-11551-04	JS-1155R-04	3.75	6.57	10.70
5	JS-11551-05	JS-1155R-05	5.00	7.82	11.95
6	JS-11551-06	JS-1155R-06	6.25	9.07	13.20
7	JS-11551-07	JS-1155R-07	7.50	10.32	14.45
8	JS-11551-08	JS-1155R-08	8.75	11.57	15.70
9	JS-11551-09	JS-1155R-09	10.00	12.82	16.95
10	JS-11551-10	JS-1155R-10	11.25	14.07	18.20
11	JS-11551-11	JS-1155R-11	12.50	15.32	19.45
12	JS-11551-12	JS-1155R-12	13.75	16.57	20.70
13	JS-11551-13	JS-1155R-13	15.00	17.82	21.95
14	JS-11551-14	JS-1155R-14	16.25	19.07	23.20
15	JS-11551-15	JS-1155R-15	17.50	20.32	24.45
16	JS-11551-16	JS-1155R-16	18.75	21.57	25.70
17	JS-11551-17	JS-1155R-17	20.00	22.82	26.95
18	JS-11551-18	JS-1155R-18	21.25	24.07	28.20
19	JS-11551-19	JS-1155R-19	22.50	25.32	29.45
21	JS-11551-21	JS-1155R-21	25.00	27.82	31.95
22	JS-11551-22	JS-1155R-22	26.25	29.07	33.20

Poles	Part No.		Dimensions (mm)		
	JS-11551	JS-1155R	A	B	C
23	JS-11551-23	JS-1155R-23	27.50	30.32	34.45
24	JS-11551-24	JS-1155R-24	28.75	31.57	35.70
25	JS-11551-25	JS-1155R-25	30.00	32.82	36.95
26	JS-11551-26	JS-1155R-26	31.25	34.07	38.20
27	JS-11551-27	JS-1155R-27	32.50	35.32	39.45
28	JS-11551-28	JS-1155R-28	33.75	36.57	40.70
29	JS-11551-29	JS-1155R-29	35.00	37.82	41.95
30	JS-11551-30	JS-1155R-30	36.25	39.07	43.20
31	JS-11551-31	JS-1155R-31	37.50	40.32	44.45
32	JS-11551-32	JS-1155R-32	38.75	41.57	45.70
33	JS-11551-33	JS-1155R-33	40.00	42.82	46.95
34	JS-11551-34	JS-1155R-34	41.25	44.07	48.20
35	JS-11551-35	JS-1155R-35	42.50	45.32	49.45
36	JS-11551-36	JS-1155R-36	43.75	46.57	50.70
37	JS-11551-37	JS-1155R-37	45.00	47.82	51.95
38	JS-11551-38	JS-1155R-38	46.25	49.07	53.20
39	JS-11551-39	JS-1155R-39	47.50	50.32	54.45
40	JS-11551-40	JS-1155R-40	48.75	51.57	55.70

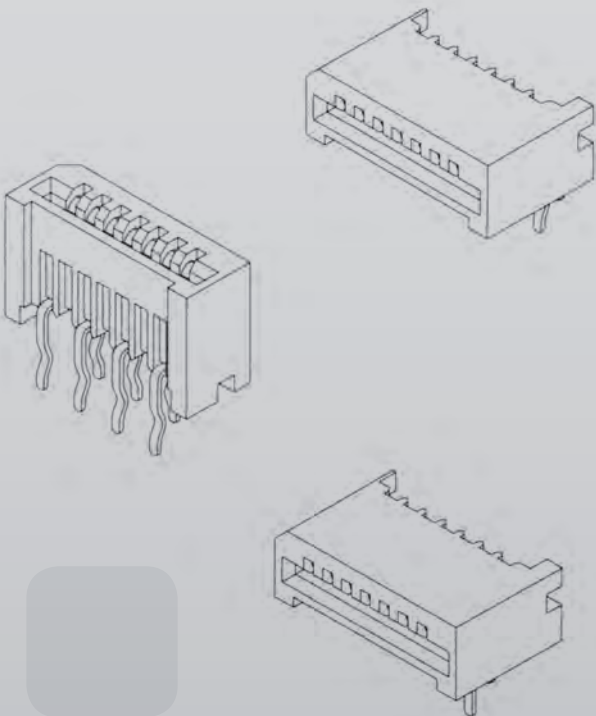
# 1.25mm (.049") NON-ZIF Type Single Beam Contact Style<DIP>

## Specifications

- Voltage Rating : 200V AC/DC
- Current Rating : 1A AC/DC
- Withstanding Voltage : 500V AC/minute
- Insulation Resistance : 500MΩ min.
- Temperature Range : -20°C to + 80°C
- Contact Resistance : 20mΩ max.

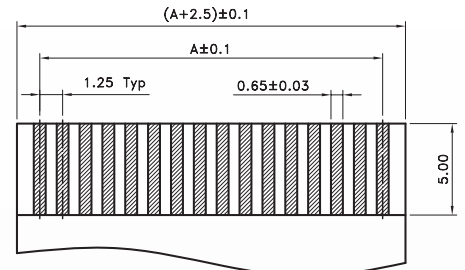
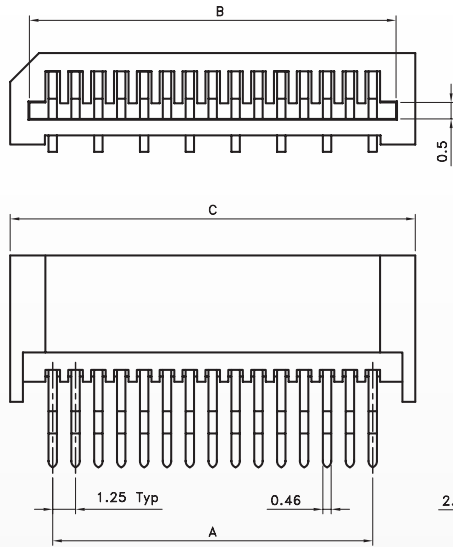
## Features:

- Part No. : JS-1155A-XX (Top Entry)  
JS-1155AR-XX (Side Entry)
- Poles : 3 - 32
- Material : Contact : Phos. Bronze, Tin Plated  
Base : PBT UL94V-0
- Qt'y : 1,000 pcs/Tube Pack

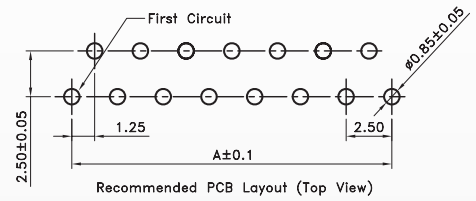


# 1.25mm (.049") NON-ZIF Type Single Beam Contact Style<DIP>

## Top Entry JS-1155A

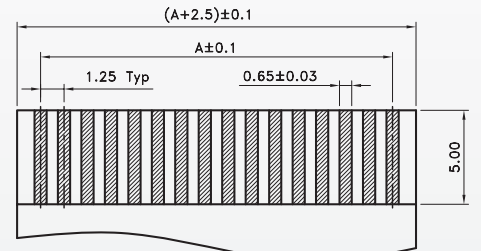
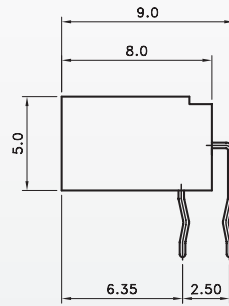
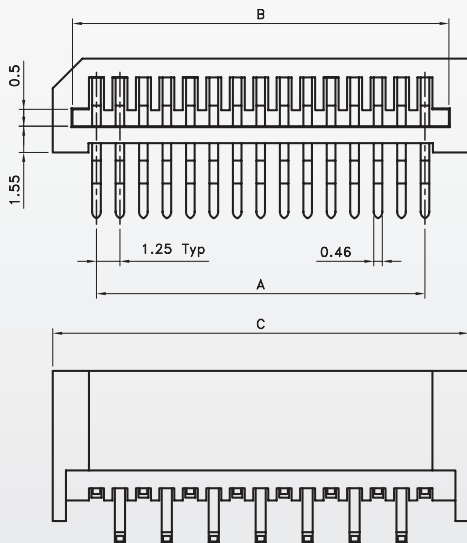


Applicable FPC/FFC T=0.30±0.05

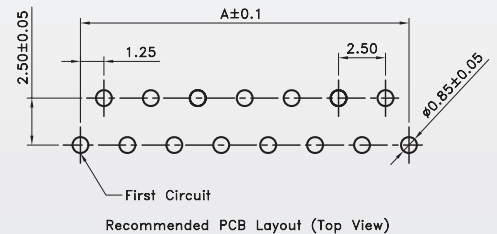


Recommended PCB Layout (Top View)

## Side Entry JS-1155AR



Applicable FPC/FFC T=0.30±0.05

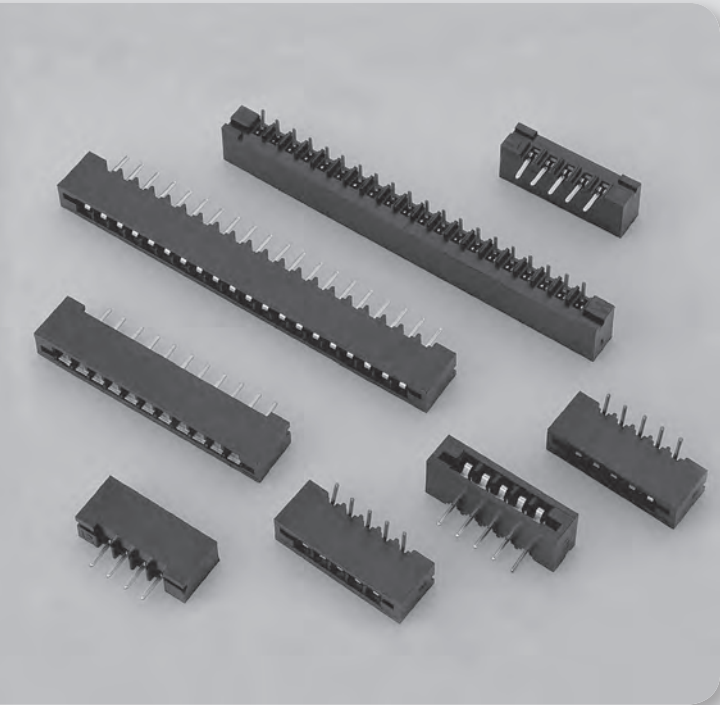


Recommended PCB Layout (Top View)

Poles	Part No.		Dimensions (mm)		
	JS-1155A	JS-1155AR	A	B	C
4	JS-1155A-04	JS-1155AR-04	8.55	6.40	3.75
5	JS-1155A-05	JS-1155AR-05	9.80	7.65	5.00
6	JS-1155A-06	JS-1155AR-06	11.05	8.90	6.25
7	JS-1155A-07	JS-1155AR-07	12.30	10.15	7.50
8	JS-1155A-08	JS-1155AR-08	13.55	11.40	8.75
9	JS-1155A-09	JS-1155AR-09	14.80	12.65	10.00
10	JS-1155A-10	JS-1155AR-10	16.05	13.90	11.25
11	JS-1155A-11	JS-1155AR-11	17.30	15.15	12.50
12	JS-1155A-12	JS-1155AR-12	18.55	16.40	13.75
13	JS-1155A-13	JS-1155AR-13	19.80	17.65	15.00
14	JS-1155A-14	JS-1155AR-14	21.05	18.90	16.25
15	JS-1155A-15	JS-1155AR-15	22.30	20.15	17.50
16	JS-1155A-16	JS-1155AR-16	23.55	21.40	18.75
17	JS-1155A-17	JS-1155AR-17	24.80	22.65	20.00
18	JS-1155A-18	JS-1155AR-18	26.05	23.90	21.25
19	JS-1155A-19	JS-1155AR-19	27.30	25.15	22.50
20	JS-1155A-20	JS-1155AR-20	28.55	26.40	23.75

Poles	Part No.		Dimensions (mm)		
	JS-1155A	JS-1155AR	A	B	C
21	JS-1155A-21	JS-1155AR-21	29.80	27.65	25.00
22	JS-1155A-22	JS-1155AR-22	31.05	28.90	26.25
23	JS-1155A-23	JS-1155AR-23	32.30	30.15	27.50
24	JS-1155A-24	JS-1155AR-24	33.55	31.40	28.75
25	JS-1155A-25	JS-1155AR-25	34.80	32.65	30.00
26	JS-1155A-26	JS-1155AR-26	36.05	33.90	31.25
27	JS-1155A-27	JS-1155AR-27	37.30	35.15	32.50
28	JS-1155A-28	JS-1155AR-28	38.55	36.40	33.75
29	JS-1155A-29	JS-1155AR-29	39.80	37.65	35.00
30	JS-1155A-30	JS-1155AR-30	41.05	38.90	36.25
31	JS-1155A-31	JS-1155AR-31	42.30	40.15	37.50
32	JS-1155A-32	JS-1155AR-32	43.55	41.40	38.75
33	JS-1155A-33	JS-1155AR-33	44.80	42.65	40.00
34	JS-1155A-34	JS-1155AR-34	46.05	43.90	41.25
35	JS-1155A-35	JS-1155AR-35	47.30	45.15	42.50
36	JS-1155A-36	JS-1155AR-36	48.55	46.40	43.75

# 2.54mm (.100") NON-ZIF Type Dual Beam Contact Style<DIP>

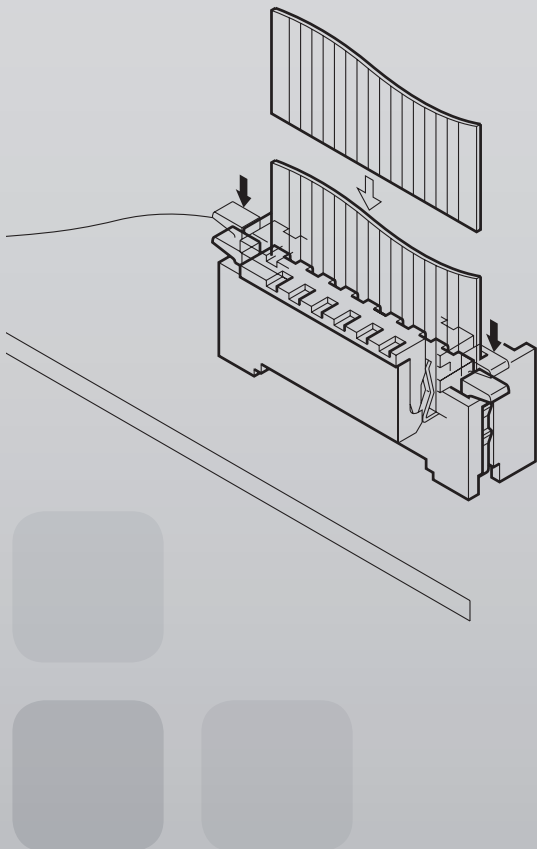


## Specifications

- Voltage Rating : 250V AC/DC
- Current Rating : 1A AC/DC
- Withstanding Voltage : 1,000V AC/minute
- Insulation Resistance : 5,000MΩ min.
- Temperature Range : -40°C to + 105°C
- Contact Resistance : 25mΩ max.

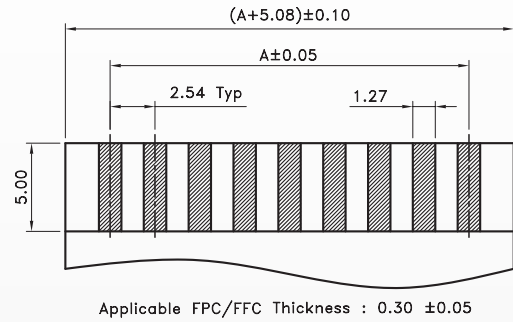
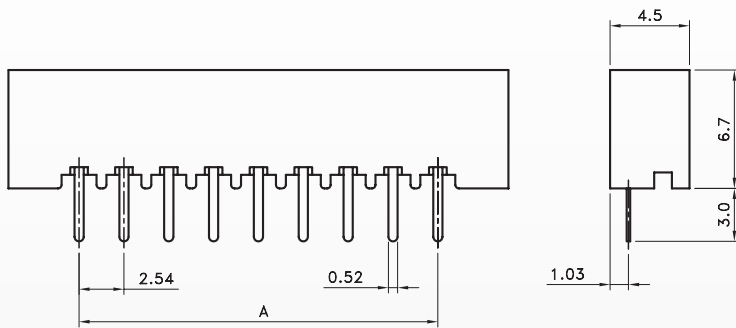
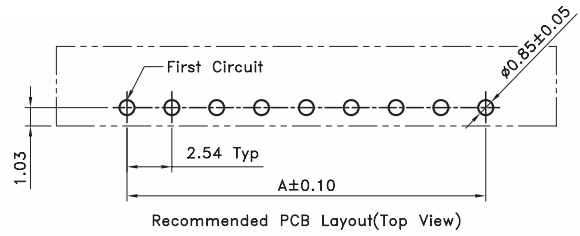
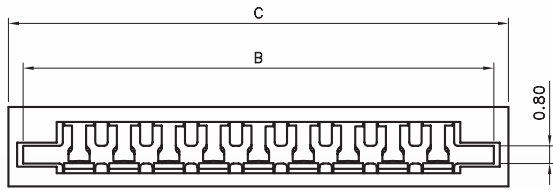
## Features:

- Part No. : JS-1160-XX(Top Entry)  
JS-1160R-XX(Side Entry)
- Poles : 2 - 27
- Material : Contact : Phos. Bronze, Tin Plated  
Base : PBT UL94V-0
- Q'ty : 1,000 pcs/Bag

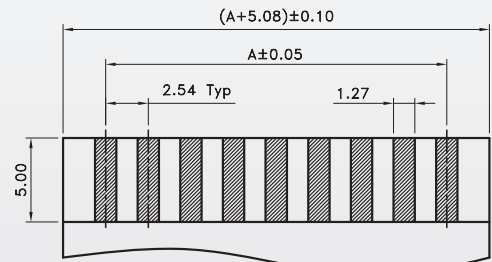
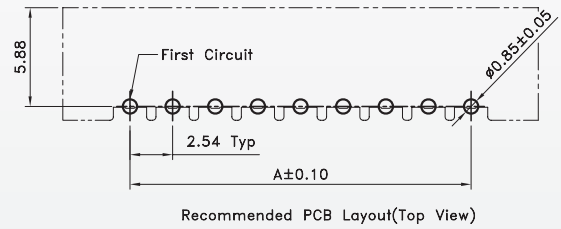
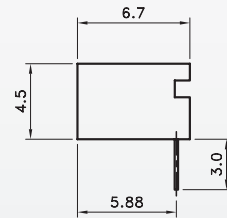
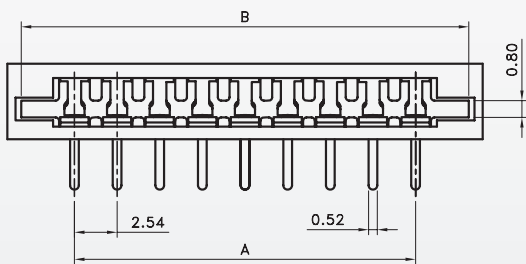


# 2.54mm (.100") NON-ZIF Type Dual Beam Contact Style<DIP>

## Top Entry JS-1160



## Side Entry JS-1160R



Poles	Part No.		Dimensions (mm)		
	JS-1160	JS-1160R	A	B	C
2	JS-1160-02	JS-1160R-02	2.54	8.43	10.54
3	JS-1160-03	JS-1160R-03	5.08	10.97	13.08
4	JS-1160-04	JS-1160R-04	7.62	13.51	15.62
5	JS-1160-05	JS-1160R-05	10.16	16.05	18.16
6	JS-1160-06	JS-1160R-06	12.70	18.59	20.79
7	JS-1160-07	JS-1160R-07	15.24	21.13	23.24
8	JS-1160-08	JS-1160R-08	17.78	23.67	25.78
9	JS-1160-09	JS-1160R-09	20.32	26.21	28.32
10	JS-1160-10	JS-1160R-10	22.86	28.75	30.86
11	JS-1160-11	JS-1160R-11	25.40	31.29	33.40
12	JS-1160-12	JS-1160R-12	27.94	33.83	35.94
13	JS-1160-13	JS-1160R-13	30.48	36.37	38.48
14	JS-1160-14	JS-1160R-14	33.02	38.91	41.02
15	JS-1160-15	JS-1160R-15	35.56	41.45	43.56
16	JS-1160-16	JS-1160R-16	38.10	43.99	46.10

Poles	Part No.		Dimensions (mm)		
	JS-1160	JS-1160R	A	B	C
17	JS-1160-17	JS-1160R-17	40.64	46.53	48.64
18	JS-1160-18	JS-1160R-18	43.18	49.07	51.18
19	JS-1160-19	JS-1160R-19	45.72	51.60	53.72
20	JS-1160-20	JS-1160R-20	48.26	54.15	56.26
21	JS-1160-21	JS-1160R-21	50.80	56.69	58.80
22	JS-1160-22	JS-1160R-22	53.34	59.23	61.34
23	JS-1160-23	JS-1160R-23	55.88	61.77	63.88
24	JS-1160-24	JS-1160R-24	58.42	64.31	66.42
25	JS-1160-25	JS-1160R-25	60.96	66.85	68.96
26	JS-1160-26	JS-1160R-26	63.50	69.39	71.50
27	JS-1160-27	JS-1160R-27	66.04	71.93	74.04
28	JS-1160-28	JS-1160R-28	68.58	74.47	76.58
29	JS-1160-29	JS-1160R-29	71.12	77.01	79.12
30	JS-1160-30	JS-1160R-30	73.66	79.55	81.66

## ■ ASIA & PACIFIC

喬訊電子(東莞)有限公司

**CHYAO SHIUNN ELECTRONIC (DONGGUAN) CO., LTD.**

廣東省東莞市長安鎮新安社區橫崗頭工業區

Dongguan Henggang Industrial Zone, Xin' an, Changan Dong Guan City, Guangdong, China ZIP: 523880

Tel: +86-769-8999-2688 Fax: +86-769-8999-2699

E-mail: csdg805@csdg-cn.com / csdgs01@chyaoshiunn.com.tw

喬訊電子(上海)有限公司

**CHYAO SHIUNN ELECTRONIC (SHANGHAI) CO., LTD.**

中國(上海)自由貿易試驗區富特中路299號46號廠房一樓

1/F Block 46, No. 299, Fute Chung Road,

Waigaoqiao Free Trade Zone, Shanghai, China ZIP:200131

Tel: +86-21-5046-1169 Fax: +86-21-5046-1063

E-mail: csshgroup@cssh.net.cn

**Korea**

**HANTECH CORPORATION**

Tel: +82-2-3477-2571

Fax: +82-2-3477-2561

E-mail : luis99@hantechcorp.com

## ■ EUROPE

**United Kingdom (U.K)**

**TAKBRO**

Tel: +44 01623 412 160

Fax: +44 01623 412 168

E-mail: sales@takbro.co.uk

**Italy**

**Selecom S.R.L.**

Tel: +39- 02-9532 8047

Fax: +39-02-9532 8117

E-mail: selling@selecom.it

**Switzerland**

**Conflectronic SA**

Tel: +41 (0)24 430 19 18

Fax: +41 (0)24 430 18 07

E-Mail: info@conflectronic.ch

**Poland**

**MARITEX**

Tel: +48 58 781 33 74

Fax: +48 58 622 47 66

E-Mail: h.piekarski@maritex.com.pl

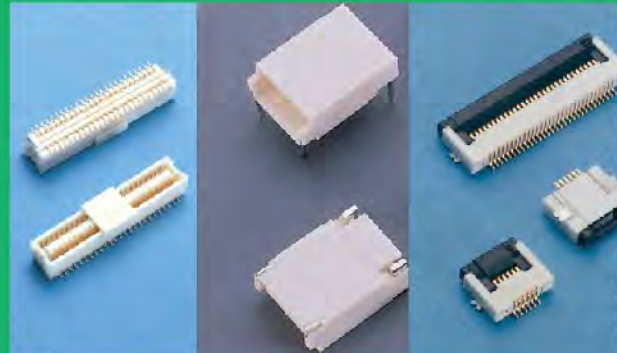
**Austria**

**SENO**

Tel: +43 1 6045713

Fax: +43 1 6043235

E-mail: office@seno.at



台灣總公司(Headquarter)

喬訊電子工業股份有限公司

**Chyao Shiunn Electronic Industrial Ltd.**

新北市淡水區中正東路一段三巷17號7F(25147)

7F #17, Lane 3, Sec 1, Chung Cheng East Rd., Tamshui District, New Taipei City, Taiwan. ZIP: 25147

Tel: +886-2-26299955, Fax: +886-2-26266677

E-mail: cs@chyaoshiunn.com.tw website: www.chyaoshiunn.com.tw