

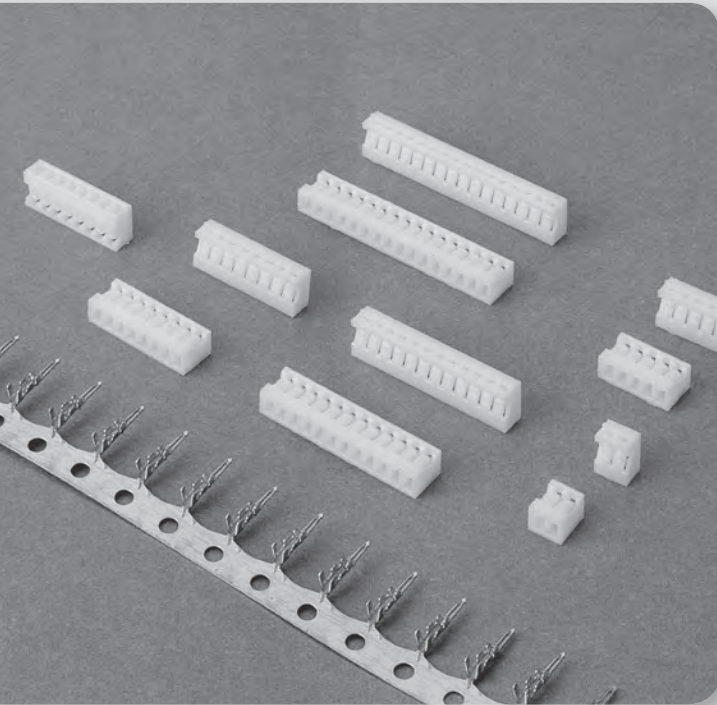
**CHOOSE A SPECIALIST
FOR ALL OF YOUR CONNECTORS NEED**

www.chyaoshiunn.com.tw



喬訊電子工業股份有限公司
Chyao Shiunn Electronic Industrial Ltd.

1.25mm (.049") Crimp Style Board-In Connectors



Specifications

- Voltage Rating : 125V AC/DC
- Current Rating : 1A AC/DC
- Withstanding Voltage : 250V AC/minute
- Insulation Resistance : 100M Ω min.
- Temperature Range : -25°C to + 85°C
- Contact Resistance : 20m Ω max.

Features:

■ HOUSING

Part No. : JS-1252-XX

Poles : 2 - 15

Material : Nylon 66 UL94V-0

Q'ty : 1,000 pcs/Bag

■ TERMINAL

Part No. : JS-1252-T

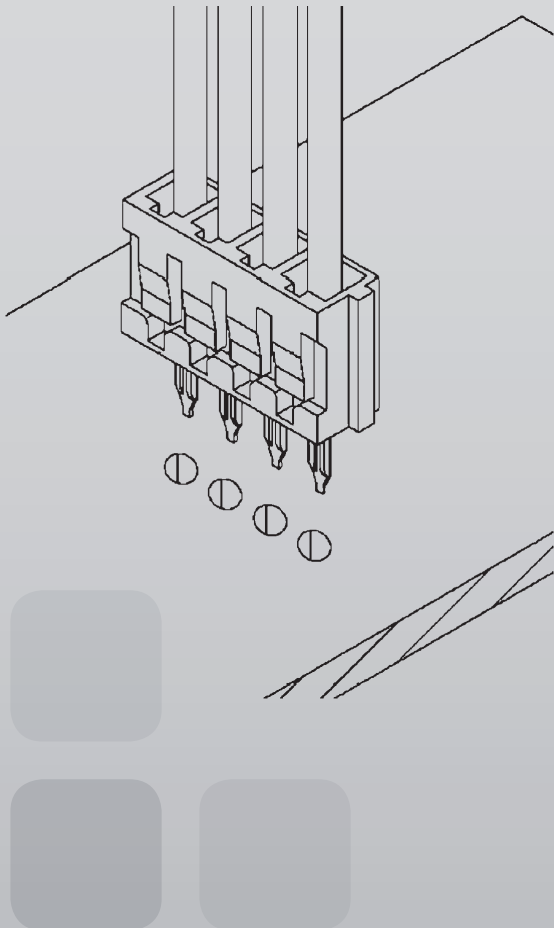
Applicable Wires : AWG# 28 - 32

Material : Phos. Bronze

Finish : Tin Plated

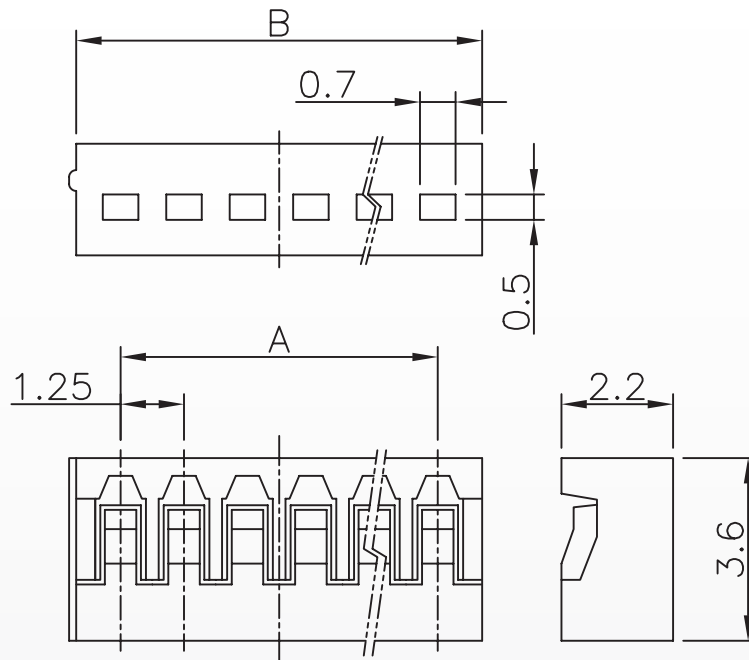
Thickness : 0.15mm

Q'ty : 15,000 pcs/Reel



1.25mm (.049") Crimp Style Board-In Connectors

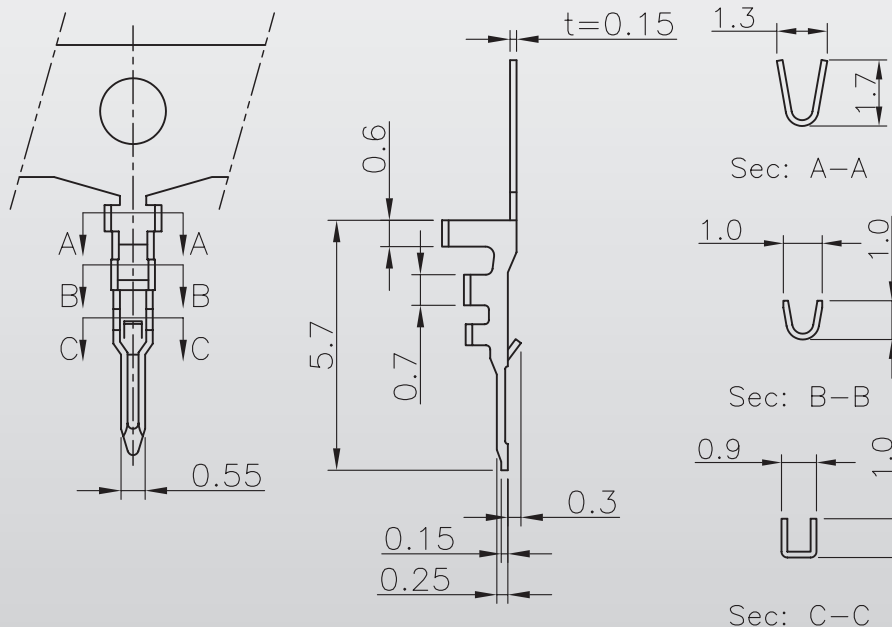
Housing JS-1252



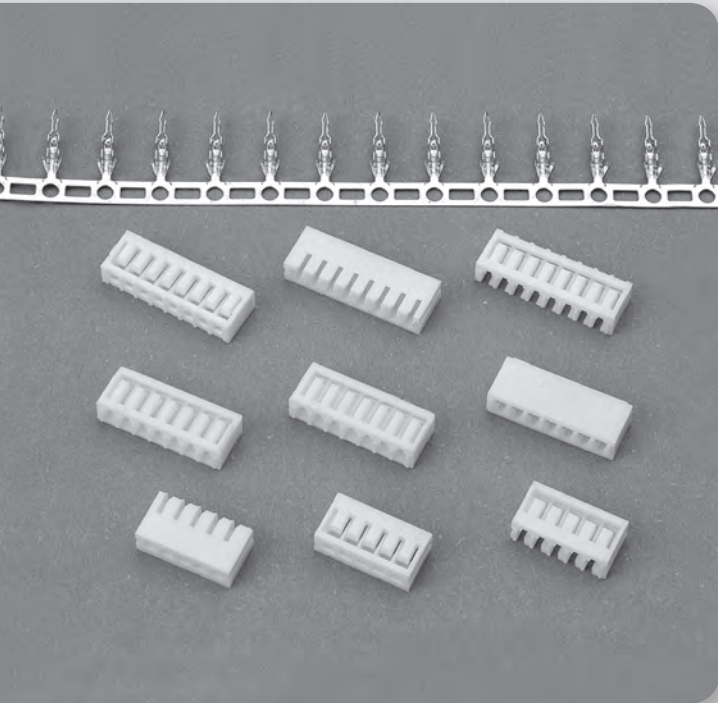
Poles	Part No.	Dimensions (mm)	
	JS-1252	A	B
2	JS-1252-02	1.25	3.00
3	JS-1252-03	2.50	4.25
4	JS-1252-04	3.75	5.50
5	JS-1252-05	5.00	6.75
6	JS-1252-06	6.25	8.00
7	JS-1252-07	7.50	9.25
8	JS-1252-08	8.75	10.50

Poles	Part No.	Dimensions (mm)	
	JS-1252	A	B
9	JS-1252-09	10.00	11.75
10	JS-1252-10	11.25	13.00
11	JS-1252-11	12.50	14.25
12	JS-1252-12	13.75	15.50
13	JS-1252-13	15.00	16.75
14	JS-1252-14	16.25	18.00
15	JS-1252-15	17.50	19.25

Terminal JS-1252-T



2.00mm (.079") Crimp Style Board-In Connectors



Specifications

- Voltage Rating : 250V AC/DC
- Current Rating : 2A AC/DC
- Withstanding Voltage : 800V AC/minute
- Insulation Resistance : 1,000M Ω min.
- Temperature Range : -25°C to + 85°C
- Contact Resistance : 20m Ω max.

Features:

■ HOUSING

Part No. : JS-1130-XX

JS-1130R-XX

Poles : 2 - 16

Material : Nylon 66 UL94V-0

Q,ty : 1,000 pcs/Bag

■ TERMINAL

Part No. : JS-1130-TP

JS-1130R-TP

Applicable Wires : AWG# 24 - 30

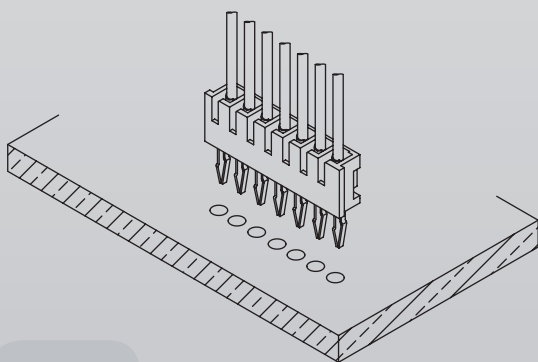
Material : Brass, Phos. Bronze

Finish : Pre-Stamping / Tin Plated

Thickness : 0.2mm

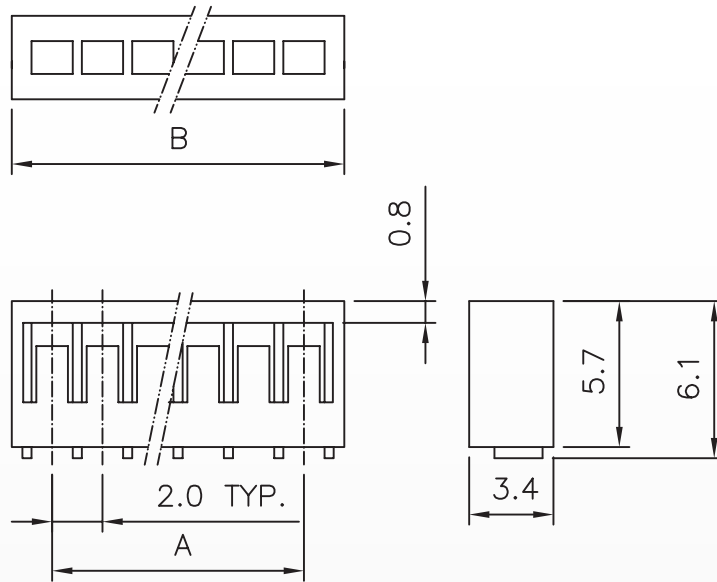
Q,ty : 15,000 pcs./Reel (For JS-1130R-TP)

10,000 pcs./Reel (For JS-1130-TP)



2.00mm (.079") Crimp Style Board-In Connectors

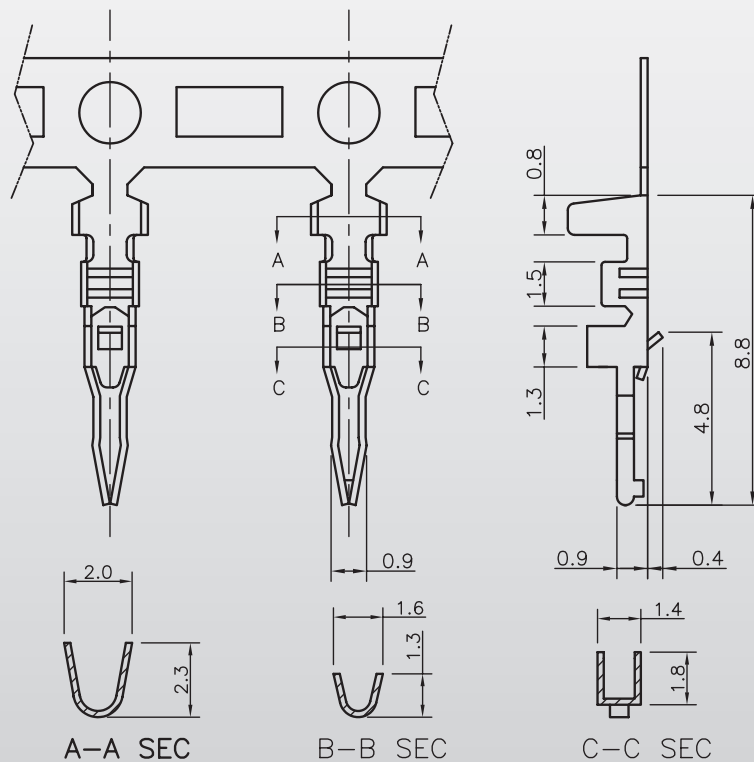
Housing - Straight JS-1130



Poles	Part No.		Dimensions (mm)	
	JS-1130	JS-1130R	A	B
2	JS-1130-02	JS-1130R-02	2.00	5.20
3	JS-1130-03	JS-1130R-03	4.00	7.20
4	JS-1130-04	JS-1130R-04	6.00	9.20
5	JS-1130-05	JS-1130R-05	8.00	11.20
6	JS-1130-06	JS-1130R-06	10.00	13.20
7	JS-1130-07	JS-1130R-07	12.00	15.20
8	JS-1130-08	JS-1130R-08	14.00	17.20
9	JS-1130-09	JS-1130R-09	16.00	19.20

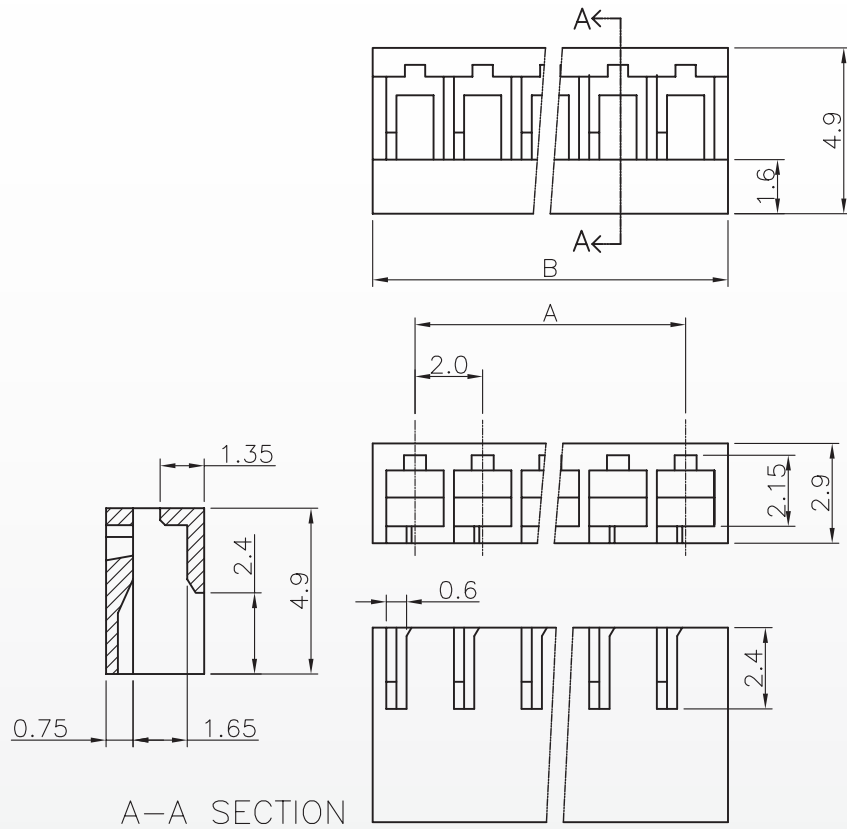
Poles	Part No.		Dimensions (mm)	
	JS-1130	JS-1130R	A	B
10	JS-1130-10	JS-1130R-10	18.00	21.20
11	JS-1130-11	JS-1130R-11	20.00	23.20
12	JS-1130-12	JS-1130R-12	22.00	25.20
13	JS-1130-13	JS-1130R-13	24.00	27.20
14	JS-1130-14	JS-1130R-14	26.00	29.20
15	JS-1130-15	JS-1130R-15	28.00	31.20
16	JS-1130-16	JS-1130R-16	30.00	33.20

Terminal - Straight JS-1130-TP

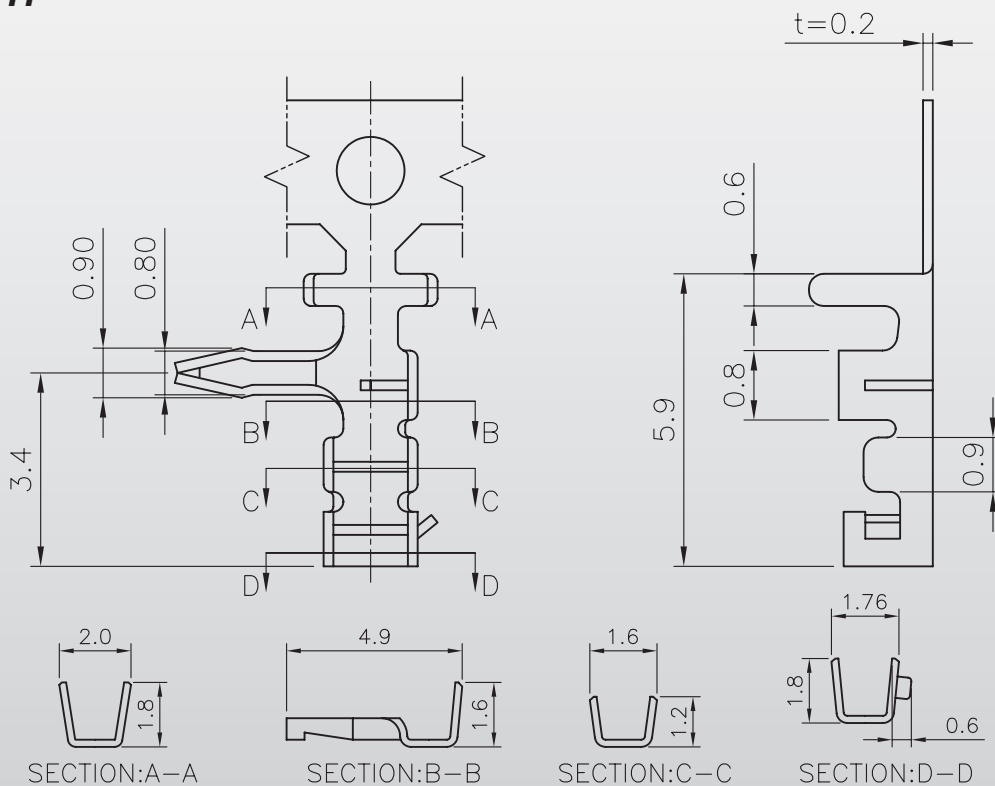


2.00mm (.079") Crimp Style Board-In Connectors

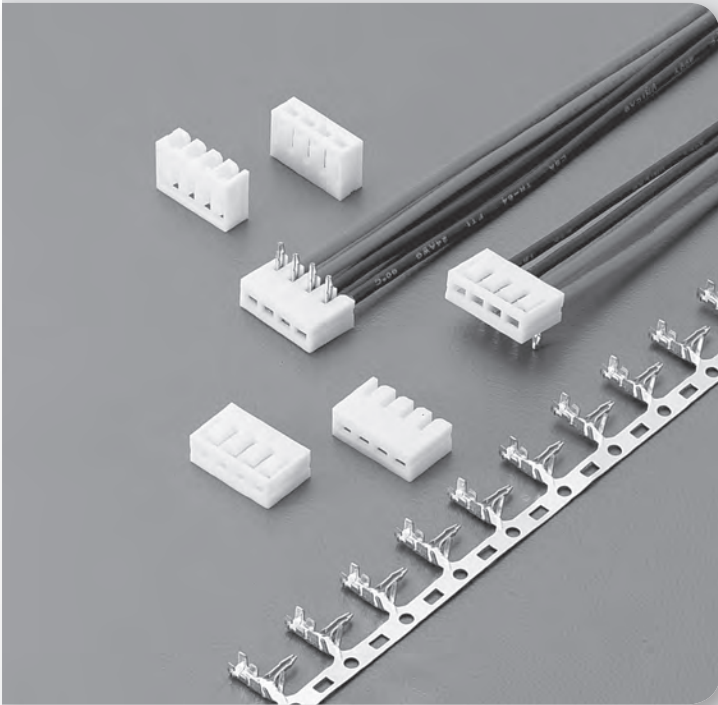
Housing - Right Angle JS-1130R



Terminal - Right Angle JS-1130R-TP



2.50mm (.098") Crimp Style Board-In Connectors



Specifications

- Voltage Rating : 250V AC/DC
- Current Rating : 3A AC/DC
- Withstanding Voltage : 800V AC/minute
- Insulation Resistance : 1,000M Ω min.
- Temperature Range : -25°C to + 85°C
- Contact Resistance : 20m Ω max.

Features:

■ HOUSING

Part No. : JS-1137, JS-1137B (Straight)
JS-1137R (Right Angle)

Poles : 2 - 16

Material : Nylon 66 UL94V-0

Q,ty : 1,000 pcs/Bag

■ TERMINAL

Part No. : JS-1137R-TP

JS-1137-TP

JS-1137B-TP

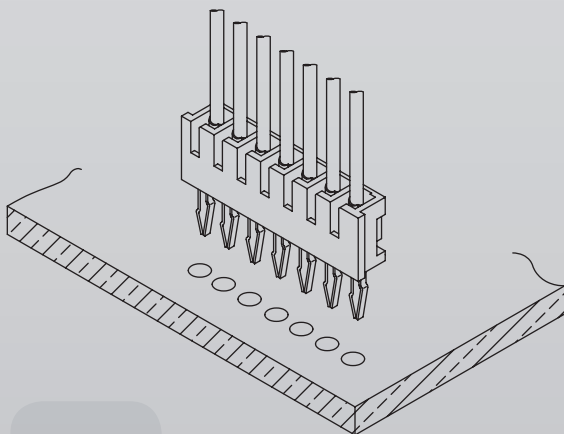
Applicable Wires : AWG# 22 - 30

Material : Brass

Finish : Pre-Stamping/Tin plated

Thickness : 0.2mm

Q,ty : 10,000 pcs/Reel

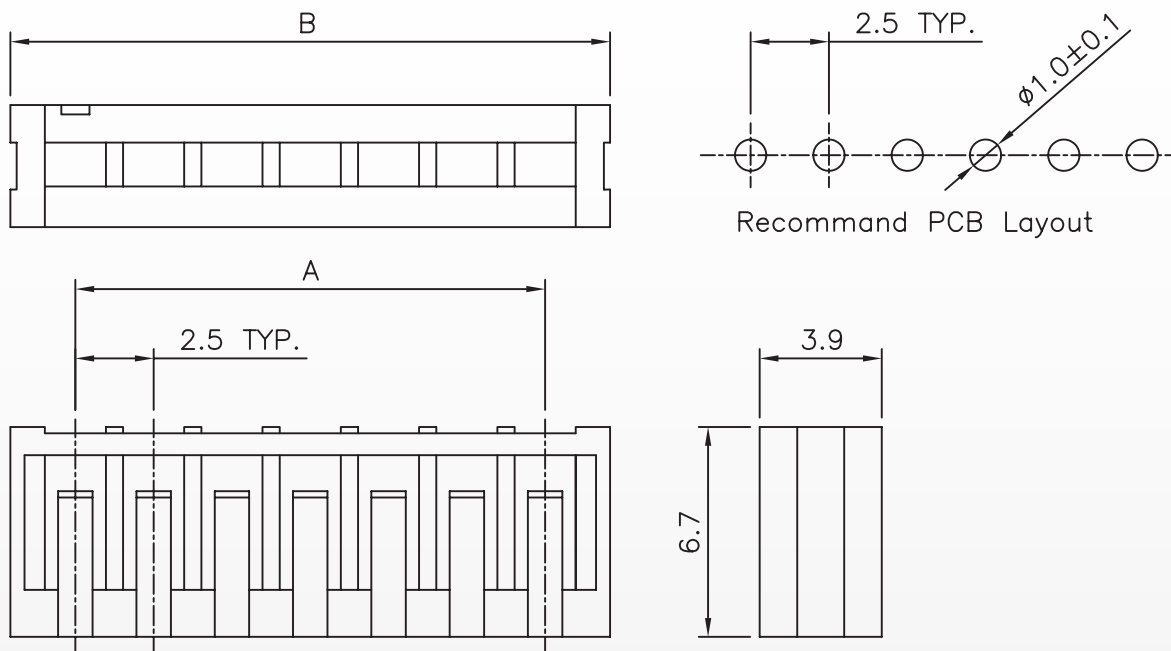


B

2.50mm (.098") Crimp Style Board-In Connectors

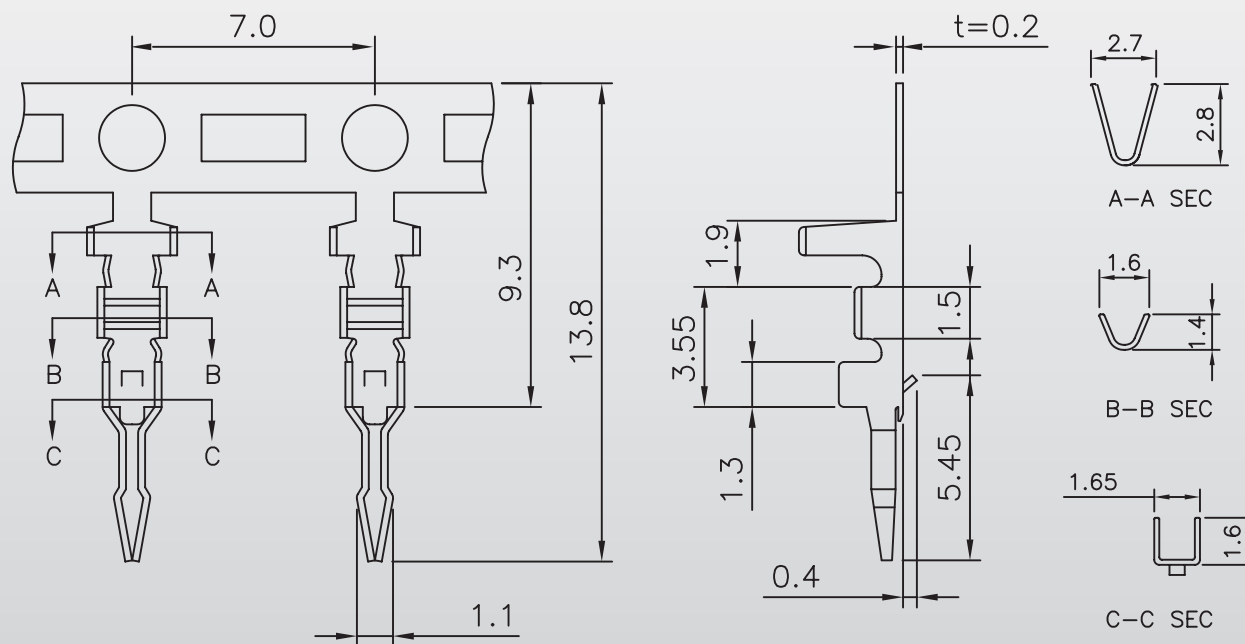
Housing - Straight

JS-1137



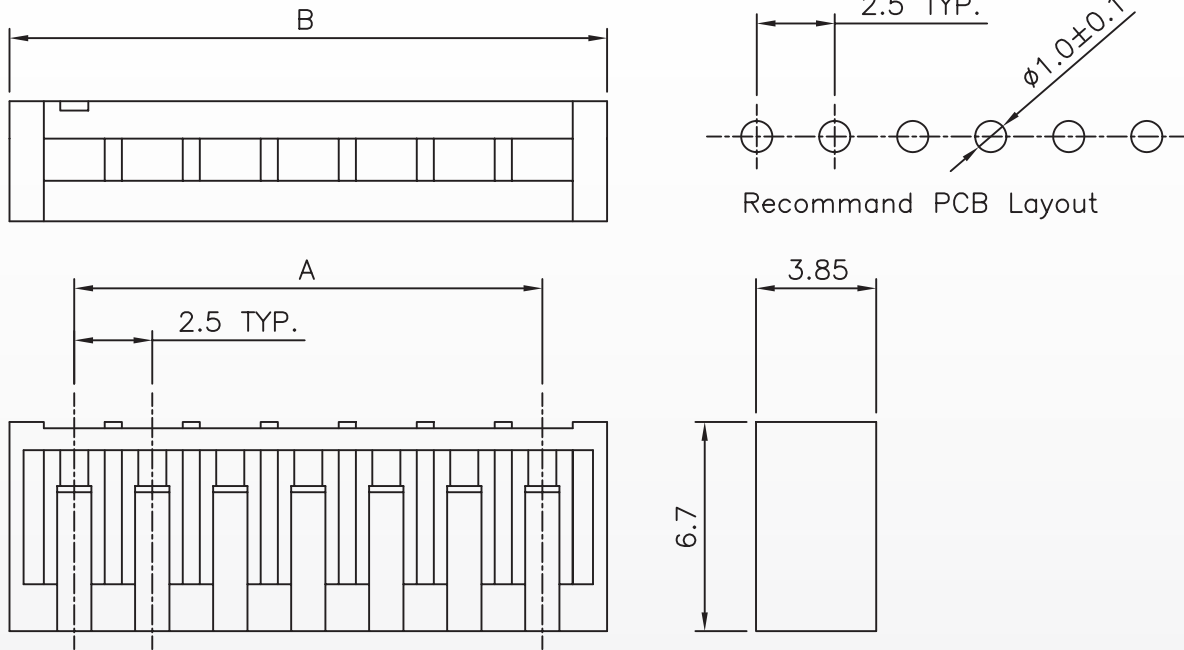
Terminal

JS-1137-TP

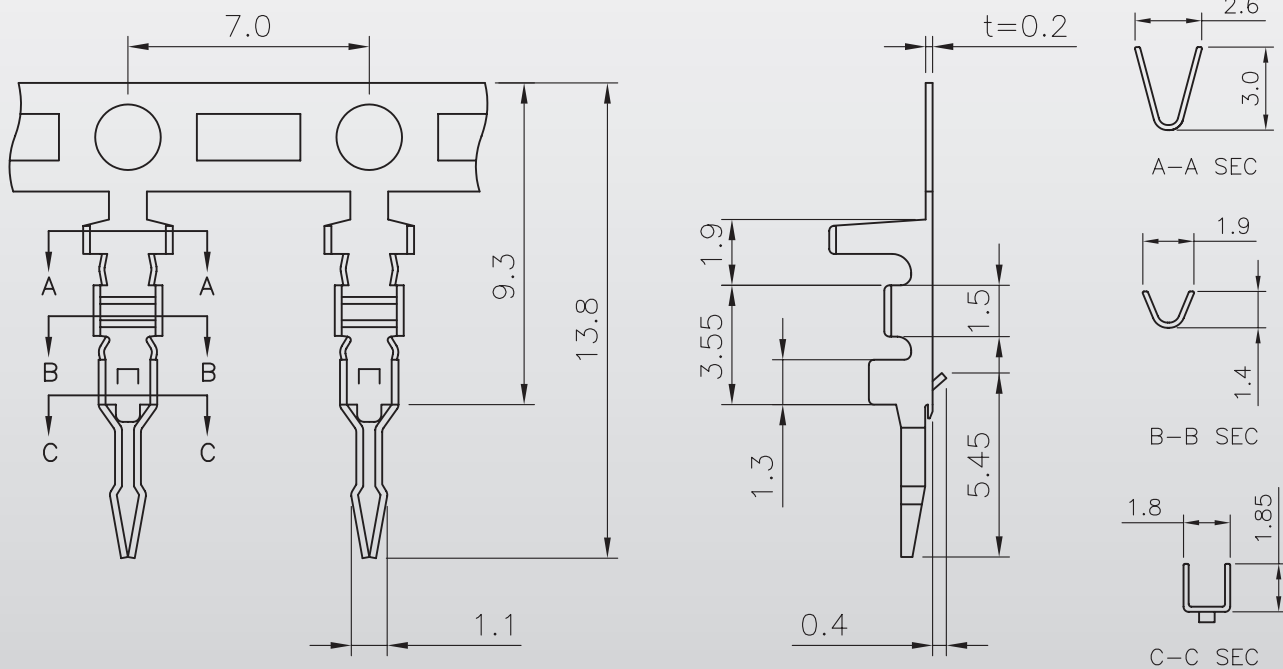


2.50mm (.098") Crimp Style Board-In Connectors

Housing - Straight JS-1137B



Terminal JS-1137B-TP

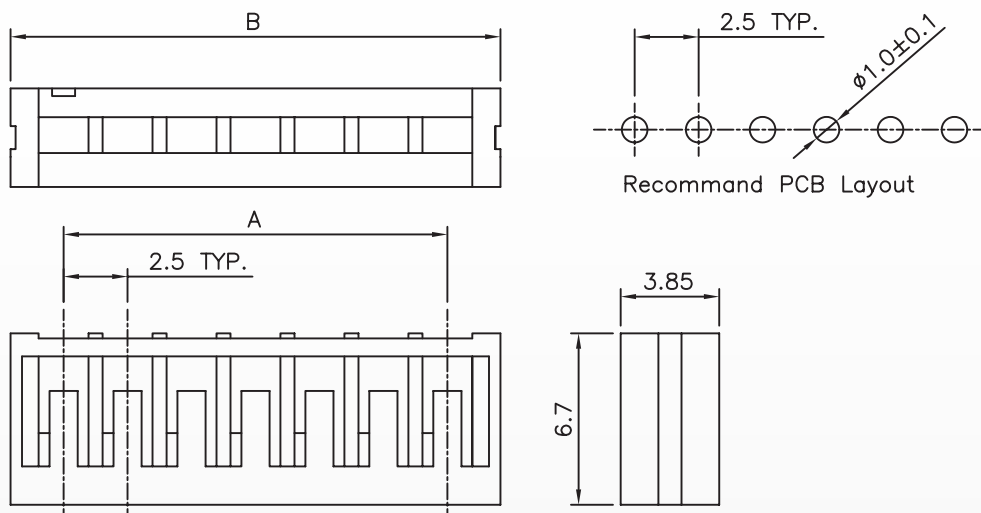


B

2.50mm (.098") Crimp Style Board-In Connectors

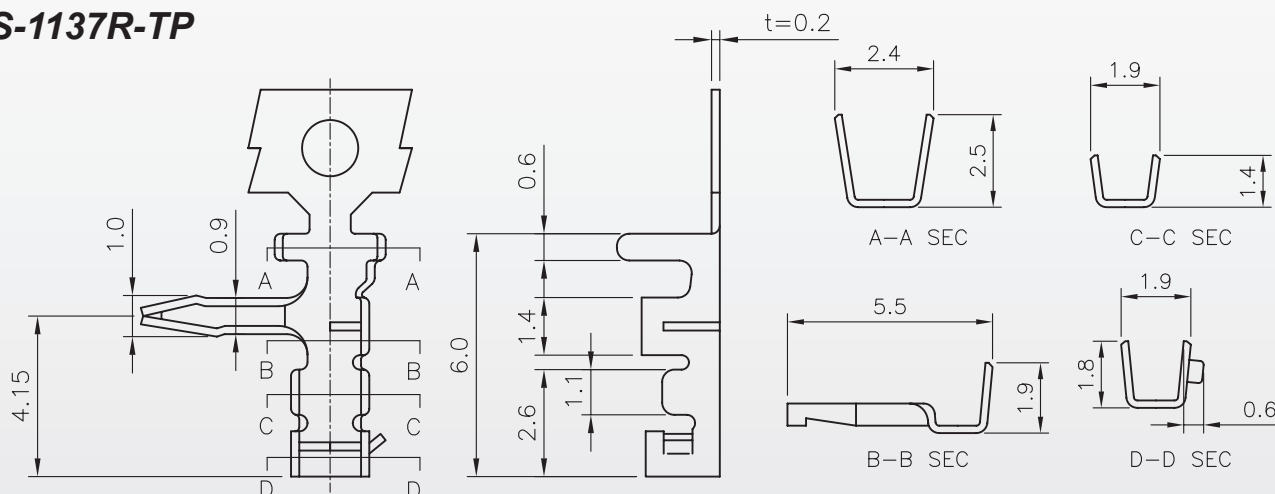
Housing - Right Angle

JS-1137R



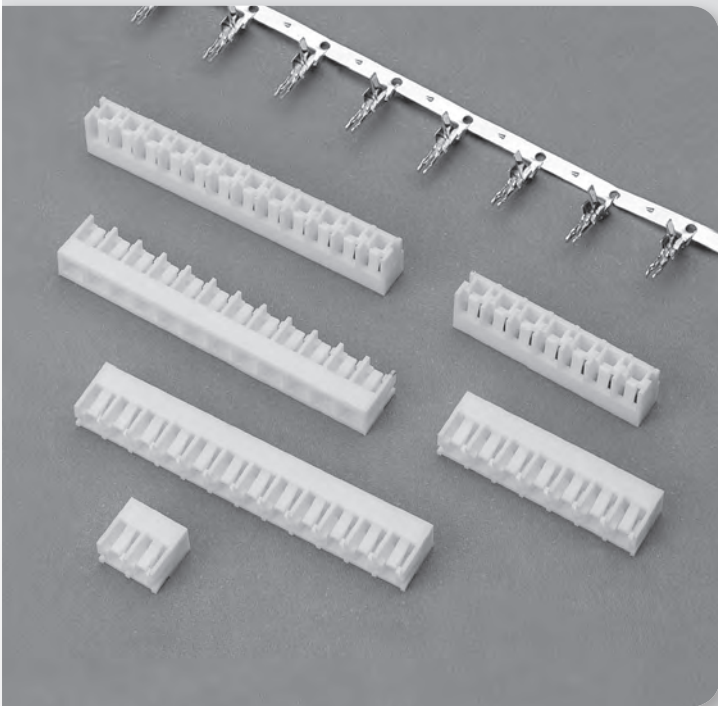
Terminal

JS-1137R-TP



Poles	Part No.			Dimensions (mm)	
	JS-1137	JS-1137B	JS-1137R	A	B
2	JS-1137-02	JS-1137B-02	JS-1137R-02	2.50	6.50
3	JS-1137-03	JS-1137B-03	JS-1137R-03	5.00	9.00
4	JS-1137-04	JS-1137B-04	JS-1137R-04	7.50	11.50
5	JS-1137-05	JS-1137B-05	JS-1137R-05	10.00	14.00
6	JS-1137-06	JS-1137B-06	JS-1137R-06	12.50	16.50
7	JS-1137-07	JS-1137B-07	JS-1137R-07	15.00	19.00
8	JS-1137-08	JS-1137B-08	JS-1137R-08	17.50	21.50
9	JS-1137-09	JS-1137B-09	JS-1137R-09	20.00	24.00
10	JS-1137-10	JS-1137B-10	JS-1137R-10	22.50	26.50
11	JS-1137-11	JS-1137B-11	JS-1137R-11	25.00	29.00
12	JS-1137-12	JS-1137B-12	JS-1137R-12	27.50	31.50
13	JS-1137-13	JS-1137B-13	JS-1137R-13	30.00	34.00
14	JS-1137-14	JS-1137B-14	JS-1137R-14	32.50	36.50
15	JS-1137-15	JS-1137B-15	JS-1137R-15	35.00	39.00
16	JS-1137-16	JS-1137B-16	JS-1137R-16	37.50	41.50

3.96mm (.156") Crimp Style Board-In Connectors



Specifications

- Voltage Rating : 300V AC/DC
- Current Rating : 7A AC/DC
- Withstanding Voltage : 1,500V AC/minute
- Insulation Resistance : 1,000M Ω min.
- Temperature Range : -25°C to + 85°C
- Contact Resistance : 20m Ω max.

Features:

■ HOUSING

Part No. : JS-4008-XX

Poles : 2 - 15

Material : Nylon 66 UL94V-0

Q'ty : 1,000 pcs/Bag

■ TERMINAL

Part No. : JS-4008-TP

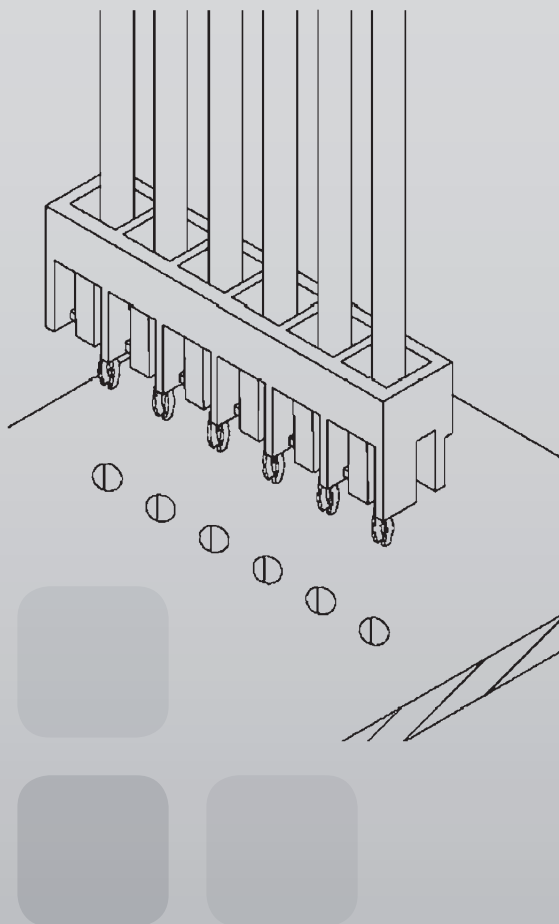
Applicable Wires : AWG# 16 - 22

Material : Brass

Finish : Pre-Stamping/Tin Plated

Thickness : 0.25mm

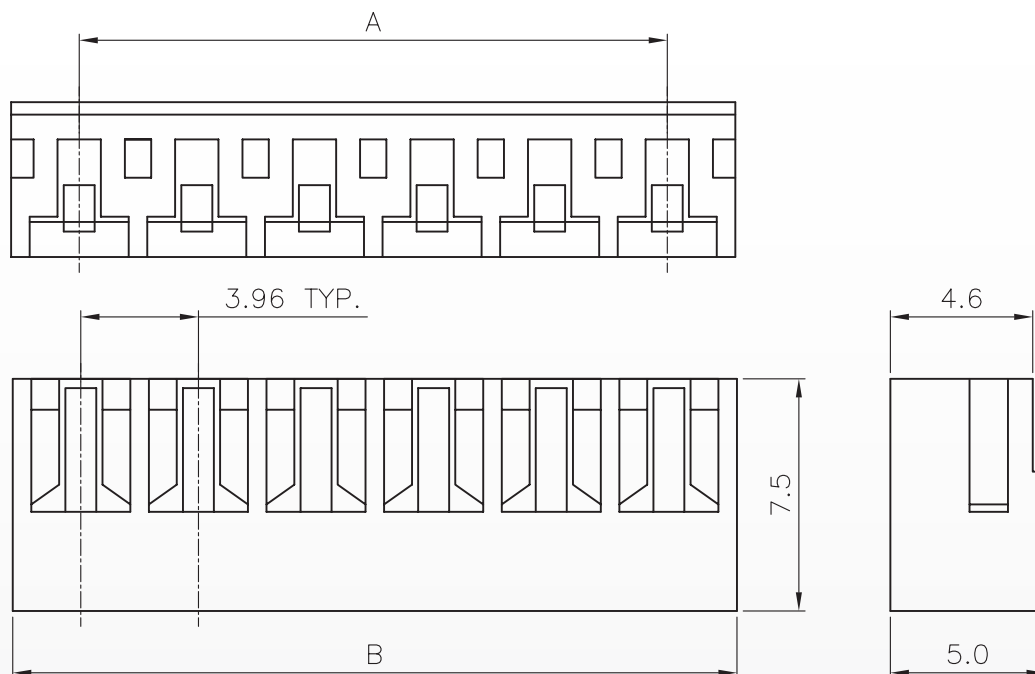
Q'ty : 4,500 pcs/Reel



B

3.96mm (.156") Crimp Style Board-In Connectors

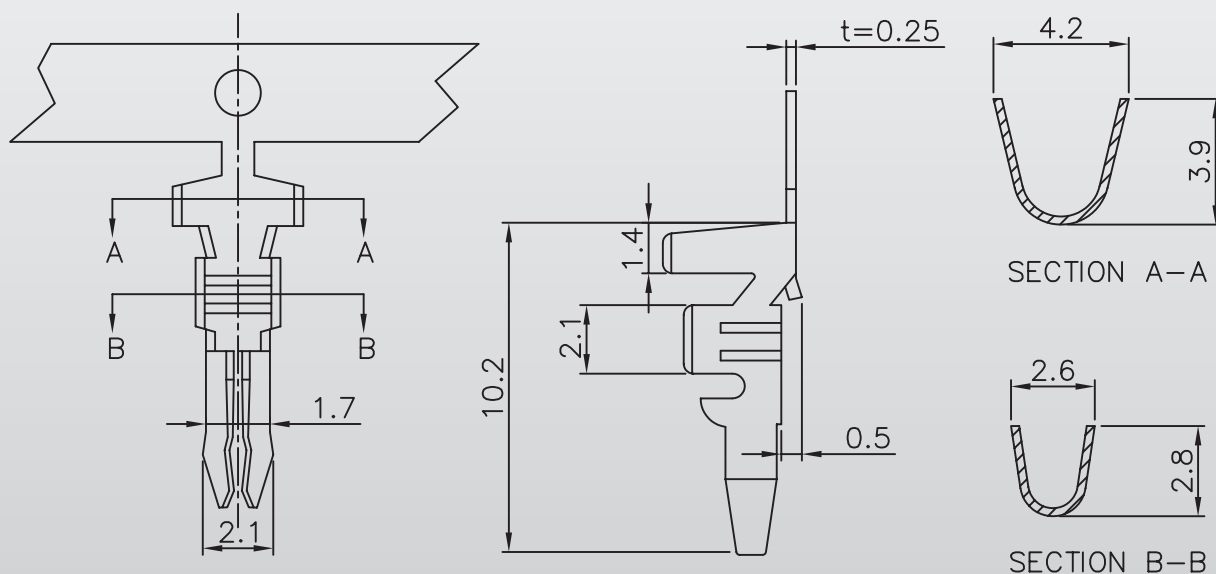
Housing JS-4008



Poles	Part No.	Dimensions (mm)	
	JS-4008	A	B
2	JS-4008-02	3.96	8.56
3	JS-4008-03	7.92	12.52
4	JS-4008-04	11.88	16.48
5	JS-4008-05	15.84	20.44
6	JS-4008-06	19.80	24.40
7	JS-4008-07	23.76	28.36
8	JS-4008-08	27.72	32.32

Poles	Part No.	Dimensions (mm)	
	JS-4008	A	B
9	JS-4008-09	31.68	36.28
10	JS-4008-10	35.64	40.24
11	JS-4008-11	39.60	44.20
12	JS-4008-12	43.56	48.16
13	JS-4008-13	47.52	52.12
14	JS-4008-14	51.48	56.08
15	JS-4008-15	55.44	60.04

Terminal JS-4008-TP



■ ASIA & PACIFIC

喬訊電子(東莞)有限公司

CHYAO SHIUNN ELECTRONIC (DONGGUAN) CO., LTD.

廣東省東莞市長安鎮新安社區橫崗頭工業區

Dongguan Henggang Industrial Zone, Xin' an, Changan Dong Guan City, Guangdong, China ZIP: 523880

Tel: +86-769-8999-2688 Fax: +86-769-8999-2699

E-mail: csdg805@csdg-cn.com / csdgs01@chyaoshiunn.com.tw

喬訊電子(上海)有限公司

CHYAO SHIUNN ELECTRONIC (SHANGHAI) CO., LTD.

中國(上海)自由貿易試驗區富特中路299號46號廠房一樓

1/F Block 46, No. 299, Fute Chung Road,

Waigaoqiao Free Trade Zone, Shanghai, China ZIP:200131

Tel: +86-21-5046-1169 Fax: +86-21-5046-1063

E-mail: csshgroup@cssh.net.cn

Korea

HANTECH CORPORATION

Tel: +82-2-3477-2571

Fax: +82-2-3477-2561

E-mail : luis99@hantechcorp.com

■ EUROPE

United Kingdom (U.K)

TAKBRO

Tel: +44 01623 412 160

Fax: +44 01623 412 168

E-mail: sales@takbro.co.uk

Italy

Selecom S.R.L.

Tel: +39- 02-9532 8047

Fax: +39-02-9532 8117

E-mail: selling@selecom.it

Switzerland

Conflectronic SA

Tel: +41 (0)24 430 19 18

Fax: +41 (0)24 430 18 07

E-Mail: info@conflectronic.ch

Poland

MARITEX

Tel: +48 58 781 33 74

Fax: +48 58 622 47 66

E-Mail: h.piekarski@maritex.com.pl

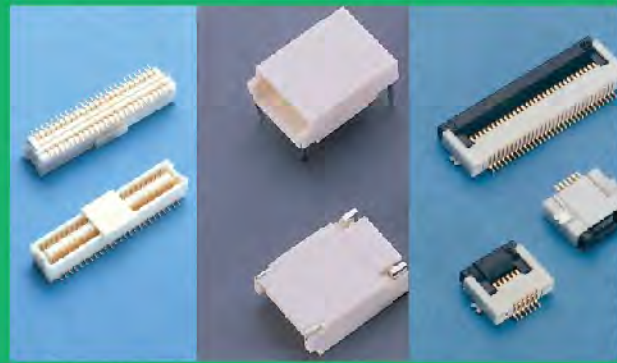
Austria

SENO

Tel: +43 1 6045713

Fax: +43 1 6043235

E-mail: office@seno.at



台灣總公司(Headquarter)

喬訊電子工業股份有限公司

Chyao Shiunn Electronic Industrial Ltd.

新北市淡水區中正東路一段三巷17號7F(25147)

7F #17, Lane 3, Sec 1, Chung Cheng East Rd., Tamshui District, New Taipei City, Taiwan. ZIP: 25147

Tel: +886-2-26299955, Fax: +886-2-26266677

E-mail: cs@chyaoshiunn.com.tw website: www.chyaoshiunn.com.tw