

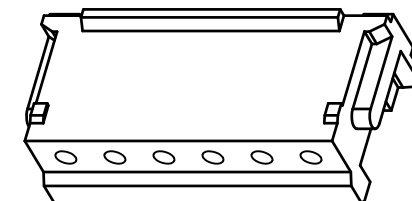
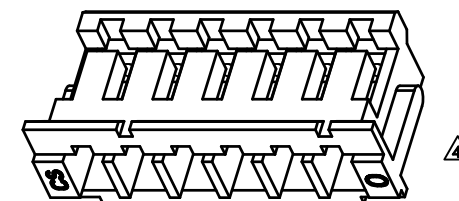
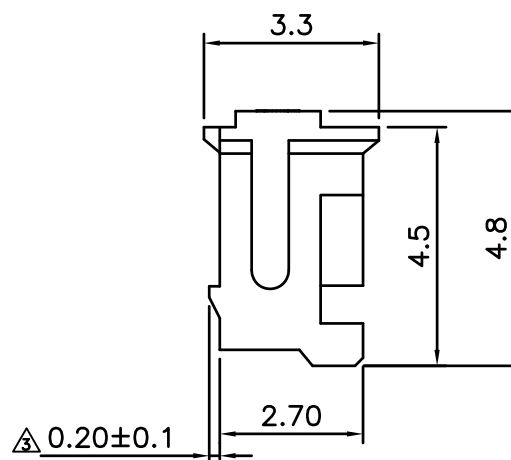
Poles	Dimension(mm)		
	A	B	C
2	1.50	4.50	3.40
3	3.00	6.00	4.90
4	4.50	7.50	6.40
5	6.00	9.00	7.90
6	7.50	10.50	9.40
7	9.00	12.00	10.90
8	10.50	13.50	12.40
9	12.00	15.00	13.90
10	13.50	16.50	15.40
11	15.00	18.00	16.90
12	16.50	19.50	18.40
13	18.00	21.00	19.90
14	19.50	22.50	21.40
15	21.00	24.00	22.90

■ SPECIFICATIONS

- Current Rating : 1A AC/DC
- Withstanding Voltage : 500V AC/minute
- Insulation Resistance : 500MΩ min
- Temperature Range : - 25°C to + 85°C
- Contact Resistance : 20mΩ max

■ HOUSING

- Part No. : JS-1173-XX XX
① ②
- ① • Poles : 2~15
- ② Material : Blank :Nylon 66 UL94V-0
NH:Nylon 66 UL94V-0 Non-Halogen ⚠
- Q' ty : 1000pcs./Bag



⚠ 3D VIEW

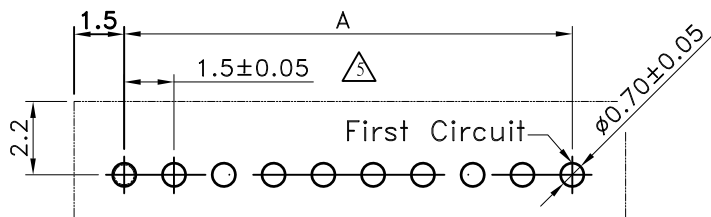


喬訊電子工業股份有限公司

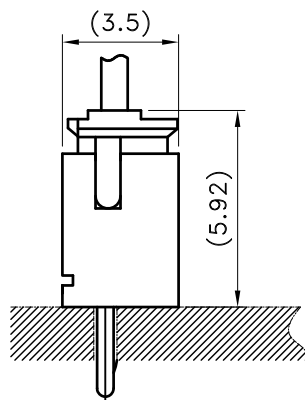
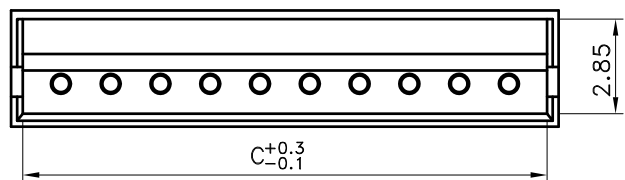
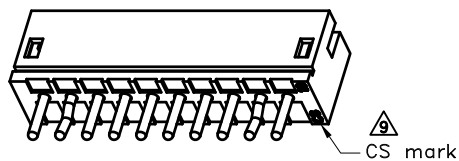
CHYAO SHIUNN
ELECTRONIC INDUSTRIAL LTD.

PART NO JS-1173-XXXX
1.50mm Crimp Style Connectors Housing

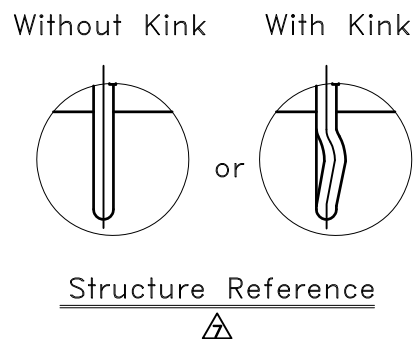
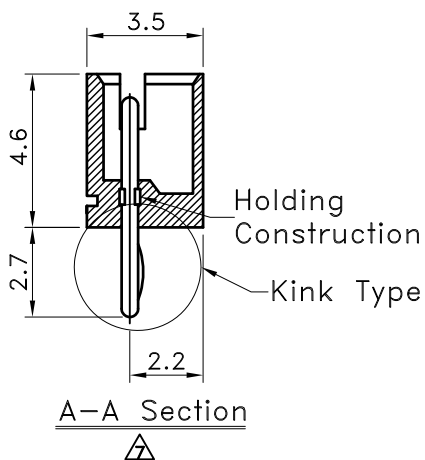
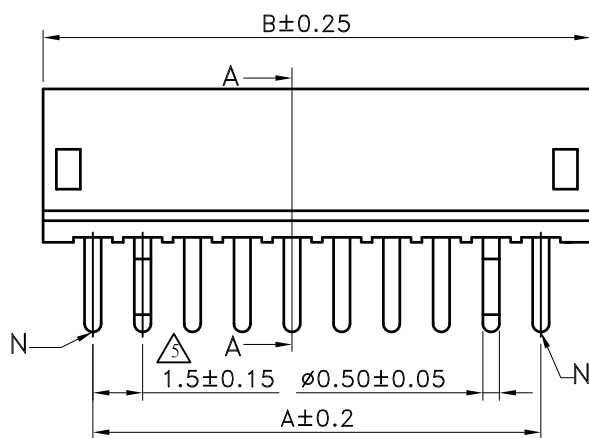
APPROVED BY	SCALE	UNIT	TOLERANCE	LTR	REVISION RECORD	NAME	DATE	LTR	REVISION RECORD	NAME	DATE
張育瑞	1:1	mm	.0 ±0.30	⚠	RoHS Compliant	余秀麗	05/05/15	⚠			
CHECKED BY	PROJ	VER NO.	.00 ±0.20	⚠	ECR 200803-011	黃科源	08/03/10	⚠			
劉娜	⊕	a5	.000 ±0.10	⚠	圖面整理,增加CS MARK	Jack	11-08-25	⚠			
DRAWN BY	DATE	SIZE	ANGLE		根據實物,刪除圖紙三角符號	謝君	20-04-13		CUSTOMER		
謝君	2023/03/14	A4	0° ±1°	⚠	增加NH選項	謝君	23-03-14				
			0° ±	⚠					Conforms to The RoHS Instruction		
			SHEET	1/1	⚠						



Recommended PCB Layout(Top View)



RECOMMENDED ASSEMBLY DIM.



■ SPECIFICATIONS

- Voltage Rating : 50V AC/DC
- Current Rating : 1A AC/DC
- Withstanding Voltage : 500V AC/minute
- Insulation Resistance : 500MΩ min
- Temperature Range : - 25φJ to + 85φJ
- Contact Resistance : 20mΩ max

■ WAFER

- Part No. : JS-1174-XX(XXX X XX)

① Poles : 2~13(Straight)

② Base Material :

Blank:PA66 UL94V-0 Color : Nature

PAN : PA46 UL94V0 Color : Nature

NH : Nylon 66 UL94V-0 (Non - Halogen)

Color : Beige

③ Contact Plated:

Blank : Tin Plated

M : Tin Plated(Matte Sn)

④ Kink Type:

Blank : Kink (Standard)

NK : Whithout Kink

• Material : Contact : Brass, Plated : Refer the above options

Base : Refer the above options

• Packing : Bag

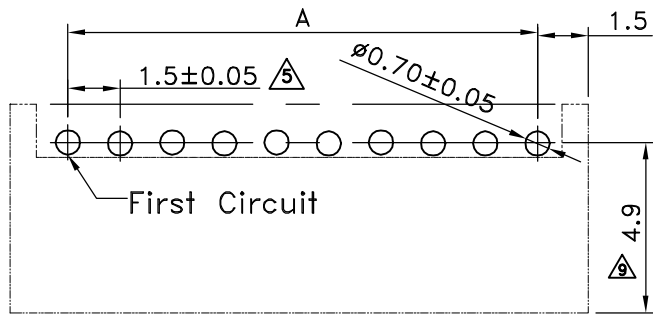
Poles	Dimensions(mm)		
	A	B	C
2	1.50	4.50	3.60
3	3.00	6.00	5.10
4	4.50	7.50	6.60
5	6.00	9.00	8.10
6	7.50	10.50	9.60
7	9.00	12.00	11.10
8	10.50	13.50	12.60
9	12.00	15.00	14.10
10	13.50	16.50	15.60
11	15.00	18.00	17.10
12	16.50	19.50	18.60
13	18.00	21.00	20.10

Circuit	Kink					
	Circuit No.					
	1	2	3	4	5	6~13
2	KinK	KinK	—	—	—	—
3	KinK	—	KinK	—	—	—
4	KinK	—	—	KinK	—	—
5~13	N	KinK	—	—	KinK	N

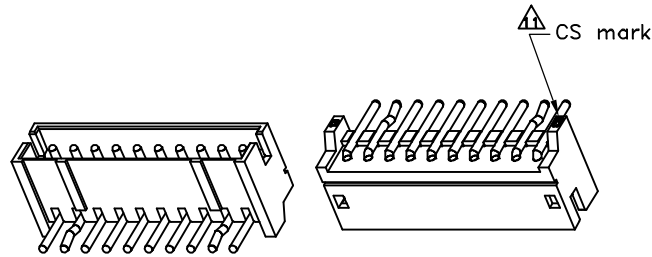
喬訊電子工業股份有限公司
CHYAO SHIUNN
ELECTRONIC INDUSTRIAL LTD.

PART NO JS-1174-XX
1.50mm Crimp Style Connectors Wafer Straight Type

APPROVED BY	SCALE	UNIT	TOLERANCE	LTR	REVISION RECORD	NAME	DATE	LTR	REVISION RECORD	NAME	DATE
Tom Shih		mm	.0 ±0.30	△	XXXXXXXX	余秀麗	2005/05/15	△	取消鍍金選項	周慈雲	2012/08/01
CHECKED BY	PROJ	VER NO.	.00 ±0.20	△	ECR 200506-006	龔志紅	2005/06/08	△	增加CS MARK	Eddie	2022/09/21
劉娜	⊕	a10	.000 ±0.10	△	ECR 200601-001	林文彬	2005/06/08	△	增加PA66 有齒選項	謝君	2024/10/25
DRAWN BY	DATE	SIZE	ANGLE		ECR 200809-015	黃科源	2006/01/05	CUSTOMER			
謝君	2024/10/25	A4	0°	±1°	ECR 201008-006	黃科源	2008/09/25				
			.0°	±	按原圖之尺寸及公差修改	陳泓璋	2010/08/10				
			SHEET	1/1	合併圖面,增加Kink,鍍層選項	吳弘文	2012/07/16	Conforms to The RoHS Instruction			



Recommended PCB Layout (Top View)



■ SPECIFICATIONS

- Voltage Rating : 50V AC/DC
- Current Rating : 1A AC/DC
- Withstanding Voltage : 500V AC/minute
- Insulation Resistance : 500M Ω min
- Temperature Range : - 25°C to + 85°C
- Contact Resistance : 20m Ω max

■ WAFER

- Part No. : JS-1174R-XX(XXX X XX)

Code No.

- ① Poles : 2~13(Right Angle)
- ② Base Material :
 - △ Blank : Nylon 66 UL94V-0 Color : Nature
 - PAN : PA46 UL94V-0 Color : Nature
 - NH : Nylon 66 UL94V-0 (Non - Halogen) Color : Beige



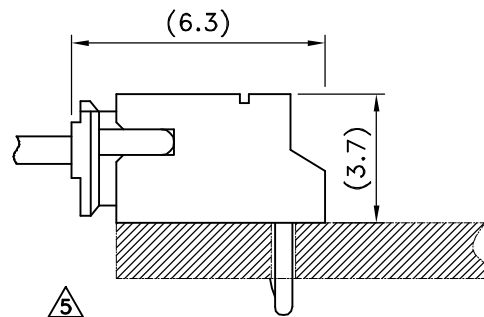
- ③ Contact Plated:
 - Blank : Tin Plated
 - M : Tin Plated(Matte Sn)



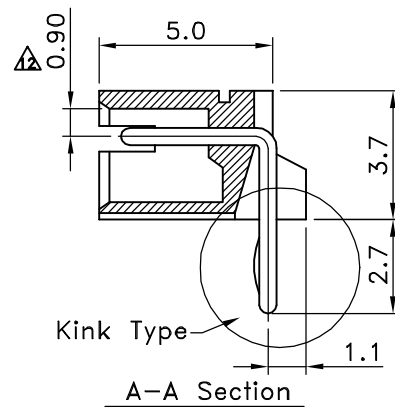
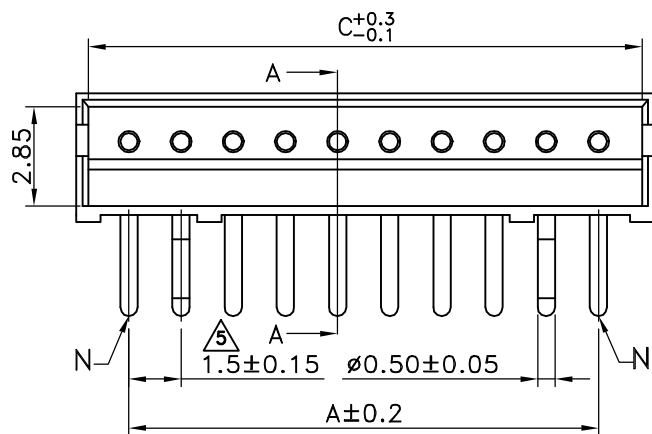
- ④ Kink Type:
 - Blank : Kink (Standard)
 - NK : Without Kink

- Material : Contact : Brass, Plated : Refer the above options
- Base : Refer the above options

- Packing : Bag



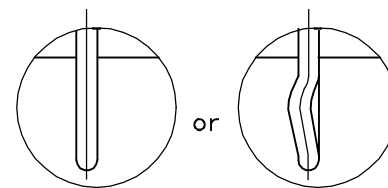
RECOMMENDED ASSEMBLY DIM.



A-A Section

Without Kink

With Kink



Structure Reference



Poles	Dimensions(mm)		
	A	B	C
2	1.50	4.50	3.60
3	3.00	6.00	5.10
4	4.50	7.50	6.60
5	6.00	9.00	8.10
6	7.50	10.50	9.60
7	9.00	12.00	11.10
8	10.50	13.50	12.60
9	12.00	15.00	14.10
10	13.50	16.50	15.60
11	15.00	18.00	17.10
12	16.50	19.50	18.60
13	18.00	21.00	20.10

Circuit	Kink					
	1	2	3	4	5	6~13
2	KinK	KinK	—	—	—	—
3	KinK	—	KinK	—	—	—
4	KinK	—	—	KinK	—	—
5	—	KinK	—	KinK	—	—
6~13	N	KinK	—	—	KinK	N

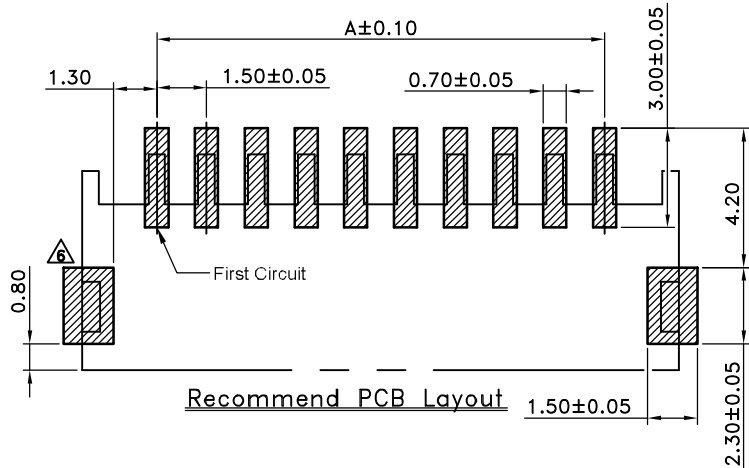


喬訊電子工業股份有限公司
CHYAO SHIUNN
ELECTRONIC INDUSTRIAL LTD.

APPROVED BY	SCALE	UNIT	TOLERANCE	LTR	REVISION RECORD	NAME	DATE	LTR	REVISION RECORD	NAME	DATE
Tom Shih		mm	.0 ±0.30	△	ECR 200803-008	黃科源	2008/03/07	△	更正 KinK 位置說明	Eddie	2020/03/23
CHECKED BY	PROJ	VER NO.	.00 ±0.20	△	ECR 200809-015	黃科源	2008/09/25	△	增加 CS MARK	Eddie	2020/03/23
Erin Chou	⊕	a12	.000 ±0.10	△	按原圖之尺寸及公差修改	陳泓璋	2010/08/10	△	新增尺寸標註	Eddie	2024/10/08
DRAWN BY	DATE	SIZE	ANGLE	△	合併圖面, 增加 Kink, 鍍層選項	吳弘文	2012/07/16	△	取消鍍金選項	周慈雲	2012/08/01
Eddie	2024/10/08	A4	0° ±1°	△	加許標準材質 Blank: Nylon 66 UL94V-0	吳弘文	2013/07/18	△	更正 PCB Layout 位置尺寸	吳弘文	2016/03/09
			.0° ±	△							
			SHEET 1/1	△							

PART NO JS-1174R-XX
1.50mm Crimp Style Connectors Wafer Right Angle Type

CUSTOMER
Conforms to The RoHS Instruction



Poles	Dimensions (mm)		
	A	B	C
2	1.50	6.00	3.60
3	3.00	7.50	5.10
4	4.50	9.00	6.60
5	6.00	10.50	8.10
6	7.50	12.00	9.60
7	9.00	13.50	11.10
8	10.50	15.00	12.60
9	12.00	16.50	14.10
10	13.50	18.00	15.60
11	15.00	19.50	17.10
12	16.50	21.00	18.60
13	18.00	22.50	20.10
14	19.50	24.00	21.60
15	21.00	25.50	23.10

■ SPECIFICATIONS

- Voltage Rating : 50V AC/DC
- Current Rating : 1A AC/DC
- Withstanding Voltage : 500V AC/minute
- Insulation Resistance : 500M Ω min
- Temperature Range : - 25°C to + 85°C
- Contact Resistance : 20m Ω max

■ WAFER

- Part No. : JS-1174H-XX (XX XX)XX
① ② ③ ④

Code No.

- ① Poles No. : 2 ~ 15(Right Angle)

② Base Material :

- Blank : Nylon 9T UL94V-0
- PA : Nylon 46 UL94V-0 Δ
- HF: Nylon 6T/66 UL94V-0(Color :BLACK, Halogen Free)
- HF1: Nylon 6T UL94V-0(Color :Natural, Halogen Free) Δ

③ Contact Plated : Δ

- Blank : Tin Plated
- NM : Matte -Tin
- G : Gold Plated

④ Base Color : Δ

- Blank : Natural
- RD : Red
- GR : Green
- BU : Blue

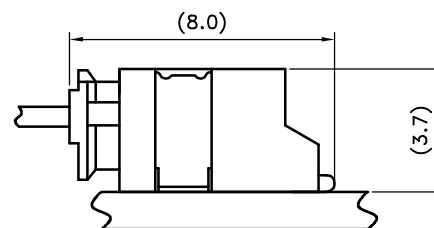
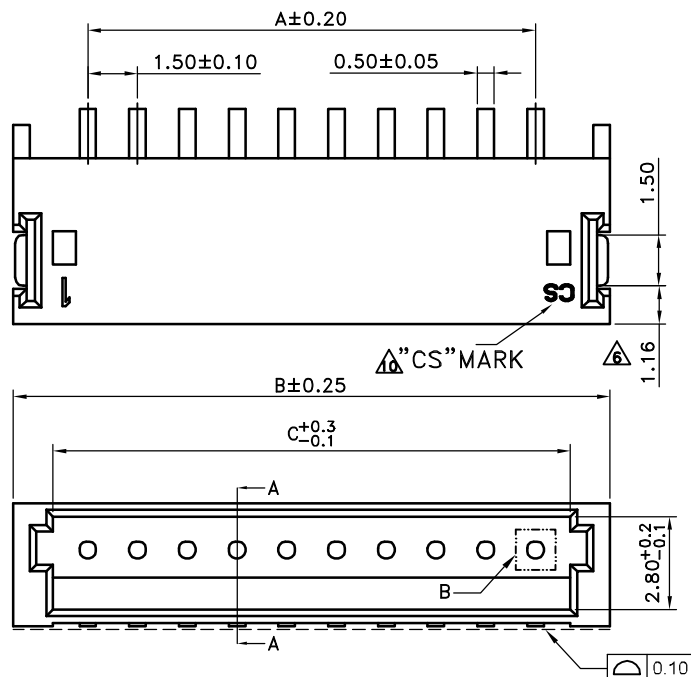
• Contact Material :

- Brass, Plated: Refer Above Options

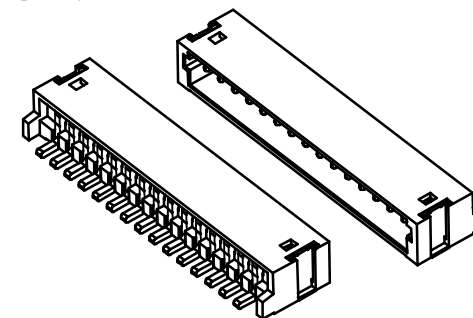
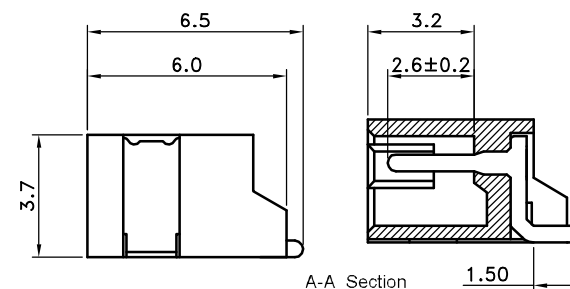
• Mating Housing : JS-1173-XX

• Mating Terminal : JS-1173-T

• Packing : Tape & Reel



Δ Assembly Layout (REF.)

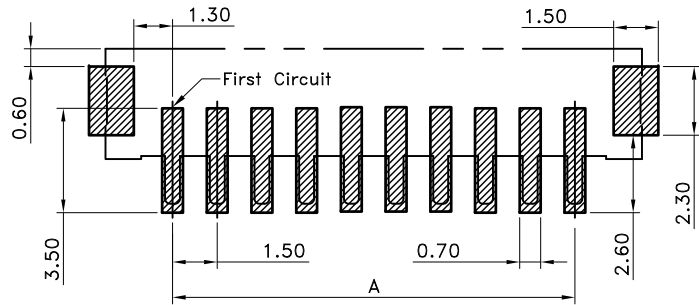


 喬訊電子工業股份有限公司
CHYAO SHIUNN
ELECTRONIC INDUSTRIAL LTD.

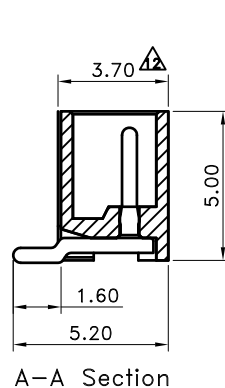
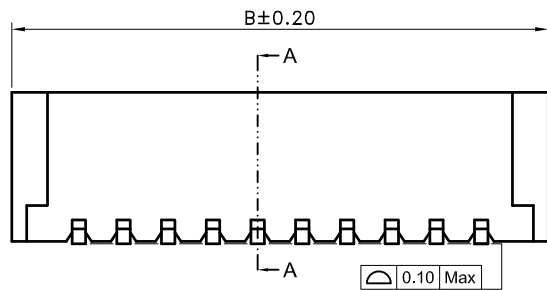
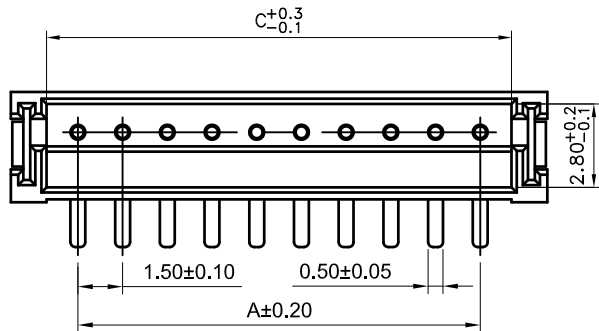
PART NO JS-1174H-XX(XXXX)XX

1.50mm SMT Series Wire to Board Connector Wafer

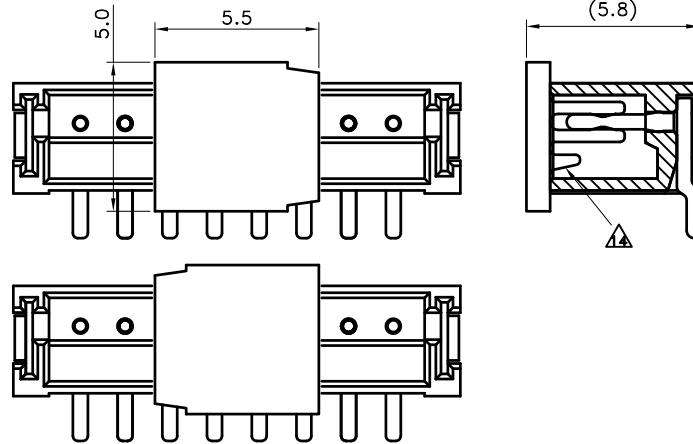
APPROVED BY	SCALE	UNIT	TOLERANCE	LTR	REVISION RECORD	NAME	DATE	LTR	REVISION RECORD	NAME	DATE
Tom Shih		mm	.0 ±0.30	Δ	ECR200407-004	邱森鴻	2004/07/14	Δ	依業務需求, 新增無鹵HF料號	周家慶	2019/01/28
CHECKED BY	PROJ	VER NO.	.00 ±0.20	Δ	ECR200506-004	龔志紅	2005/06/07	Δ	依業務需求, 新增PIN針圖示	劉娜	2019/10/18
Erin Chou		a10	.000 ±0.10	Δ	ECR200806-001	黃科源	2008/06/03	Δ	增加CS MARK	Eddie	2022/09/21
DRAWN BY	DATE	SIZE	ANGLE		Δ	ECR200903-007	黃科源	2009/03/13	CUSTOMER		
Eddie	2022/09/21	A4	0°	±1°	Δ	圖面合併, 增加顏色選項	吳弘文	2012/08/20			
			.0°	±	Δ	增加接地片位置標示	吳弘文	2014/08/13			
			SHEET	1/1	Δ	增加Nylon 46 (PA)材質	周家慶	2017/12/13			
Conforms to The RoHS Instruction											



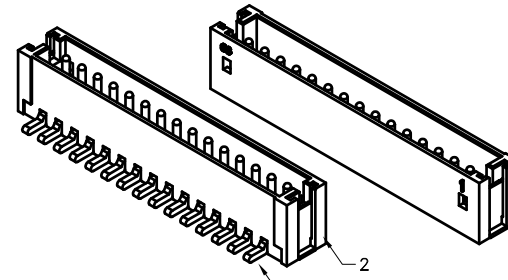
Recommended PCB Layout
General tolerance ±0.05



A-A Section



Assembly Layout (REF.)



Cap Dimension: Δ

1/2 SPECIFICATIONS

- Voltage Rating : 50V AC/DC
- Current Rating : 1A AC/DC
- Withstanding Voltage : 500V AC/minute
- Insulation Resistance : 500M Ω min
- Temperature Range : - 25 $^{\circ}$ C to + 85 $^{\circ}$ C
- Contact Resistance : 20m Ω max

1/2 WAFER

- Part No. : JS-1174V-XX XX XX (XX)XX
Code No. ① ② ③ ④ ⑤

① Poles No. : 2 ~ 15 (Straight)

② CAP: Blank : With Cap
NC : Non Cap Δ

③ Blank : Nylon 9T UL94V-0 Δ
HF: Nylon 6T/66 UL94V-0 (Color : Black, Halogen Free)
HF1: Nylon 6T UL94V-0 (Color : Natural, Halogen Free)
LC: LCP UL94V-0 (Color : Natural) Δ

④ Contact Plated : Δ

Blank : Tin Plated
NM : Matte -Tin
G : Gold Plated

⑤ Base Color : Δ
Blank : Natural

RD : Red
GR : Green
BU : Blue
BK : Black Δ

• Material :

1. Contact : Brass, Plated: Refer Above Options
2. Base: Refer the above narrative
3. Cap: Heatproof Resin UL94V-0 Δ

• Mating Housing : JS-1173-XX

• Mating Terminal : JS-1173-T

• Packing : Tape & Reel

Poles	Dimensions (mm)			Poles	Dimensions (mm)		
	A	B	C		A	B	C
2	1.50	6.00	3.60	9	12.00	16.50	14.10
3	3.00	7.50	5.10	10	13.50	18.00	15.60
4	4.50	9.00	6.60	11	15.00	19.50	17.10
5	6.00	10.50	8.10	12	16.50	21.00	18.60
6	7.50	12.00	9.60	13	18.00	22.50	20.10
7	9.00	13.50	11.10	14	19.50	24.00	21.60
8	10.50	15.00	12.60	15	21.00	25.50	23.10

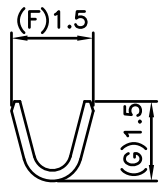
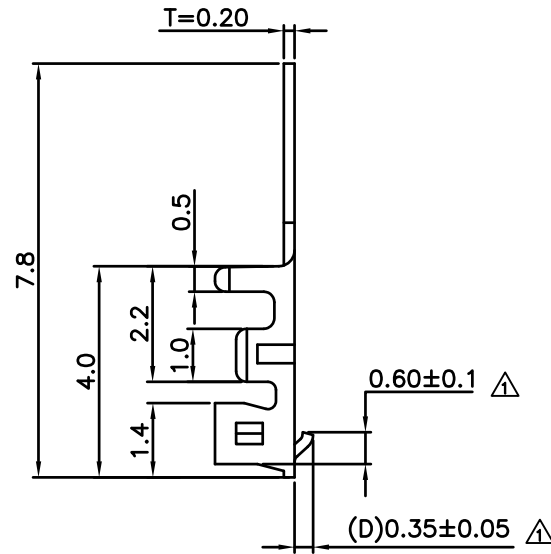
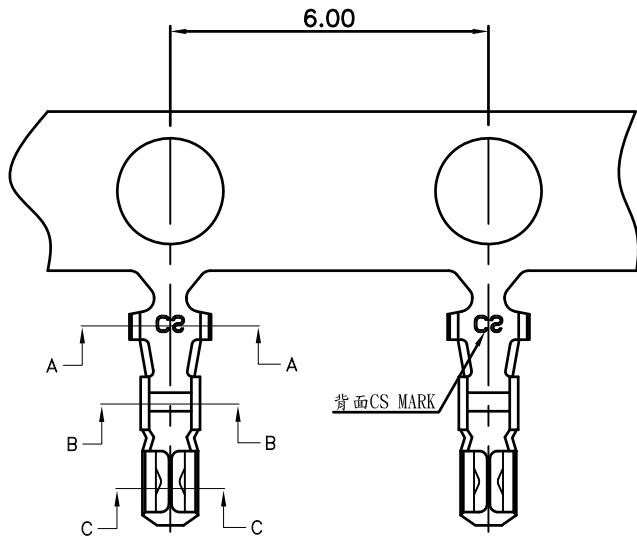


喬訊電子工業股份有限公司
CHYAO SHIUNN
ELECTRONIC INDUSTRIAL LTD.

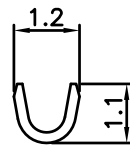
PART NO JS-1174V-XX

1.50mm SMT Series Wire to Board Connector Wafer

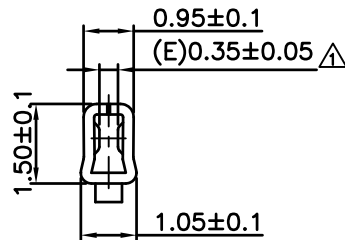
APPROVED BY	SCALE	UNIT	TOLERANCE	LTR	REVISION RECORD	NAME	DATE	LTR	REVISION RECORD	NAME	DATE
張育瑞	1:1	mm	.0	± 0.30	Δ	黃科源	2009/03/13	Δ	增加無鹵素原色選項	Eddie	2019/09/25
CHECKED BY	PROJ	VER NO.	.00	± 0.20	Δ	林文泰	2009/12/17	Δ	修改蓋子形狀	劉娜	2021/12/14
劉娜	\oplus	\square	.000	± 0.10	Δ	吳弘文	2012/08/20	Δ	增加LCP選項	謝君	2023/11/08
DRAWN BY	DATE	SIZE	ANGLE		Δ	修改蓋子部份的結構		王睿	2015/05/18	CUSTOMER	
謝君	2023/11/08	A4	0 $^{\circ}$	$\pm 1^{\circ}$	Δ	增加高溫無鹵HF選項		曾慶根	2017/04/13		
			.0 $^{\circ}$	\pm	Δ	增加無蓋選項		劉娜	2017/11/03		
			SHEET	1/1	Δ	依CAP實物修正圖面及新增尺寸管控		劉娜	2019/03/27	Conforms to The RoHS Instruction	



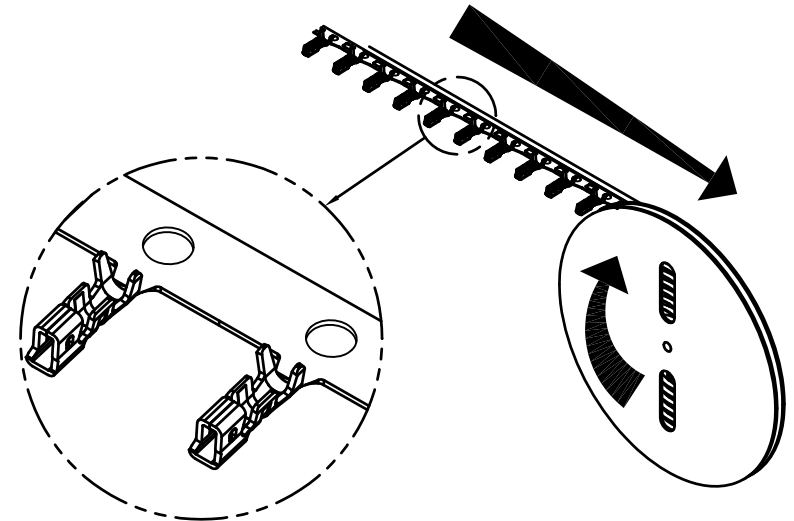
A-A SEC



B-B SEC



C-C SEC



產品收料圖

SPECIFICATIONS

- Current Rating : 1A AC/DC
- Withstanding Voltage : 500V AC/minute
- Insulation Resistance : 500MΩ min
- Temperature Range : - 25°C to + 85°C
- Contact Resistance : 20mΩ max

TERMINAL

- Part No. : JS-1173-TXX

- ① Blank: Ni>10u", Sn>50u"
(Stamping Befor Plated) ⚠
- 2: Ni>30u", Sn>100u"
(Standard Plated Process) ⚠
- Applicable Wires : AWG#28~32
- Material : Phos.Bronze
- Thickness : 0.2mm
- Q' ty : 10,000pcs./Reel



喬訊電子工業股份有限公司
CHYAO SHIUNN
ELECTRONIC INDUSTRIAL LTD.

PART NO JS-1173-TXX
1.50mm Crimp Style Connectors TER

APPROVED BY	SCALE	UNIT	TOLERANCE	LTR	REVISION RECORD	NAME	DATE	LTR	REVISION RECORD	NAME	DATE
張育瑞	1:1	mm	.0 ±0.30	△	按上海圖面修改內部圖面公差	吳小平	2016/05/16	△			
CHECKED BY	PROJ	VER NO.	.00 ±0.25	△	電鍍選項添加說明	謝君	2021/12/22	△			
劉娜	⊕	a2	.000 ±0.10	△				△			
DRAWN BY	DATE	SIZE	ANGLE						CUSTOMER		
謝君	2021/12/22	A4	0° ±1°	△					Conforms to The RoHS Instruction		
			.0° ±	△							
			SHEET	1/1	△						